

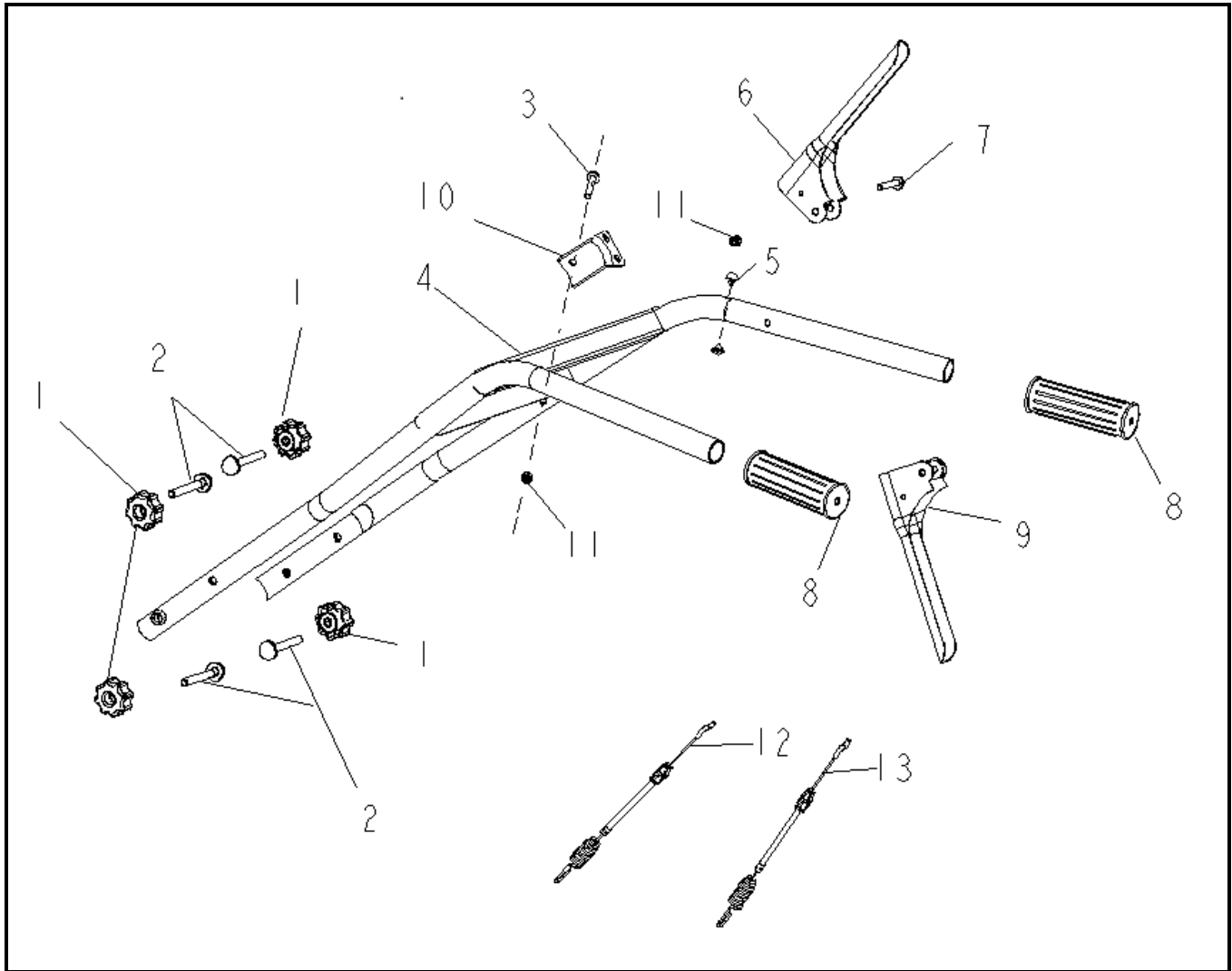
**Powermate**  
**ILLUSTRATED PARTS BOOK**  
**212cc Rear Tine Tiller**  
**PRTT212**



# Table of Contents

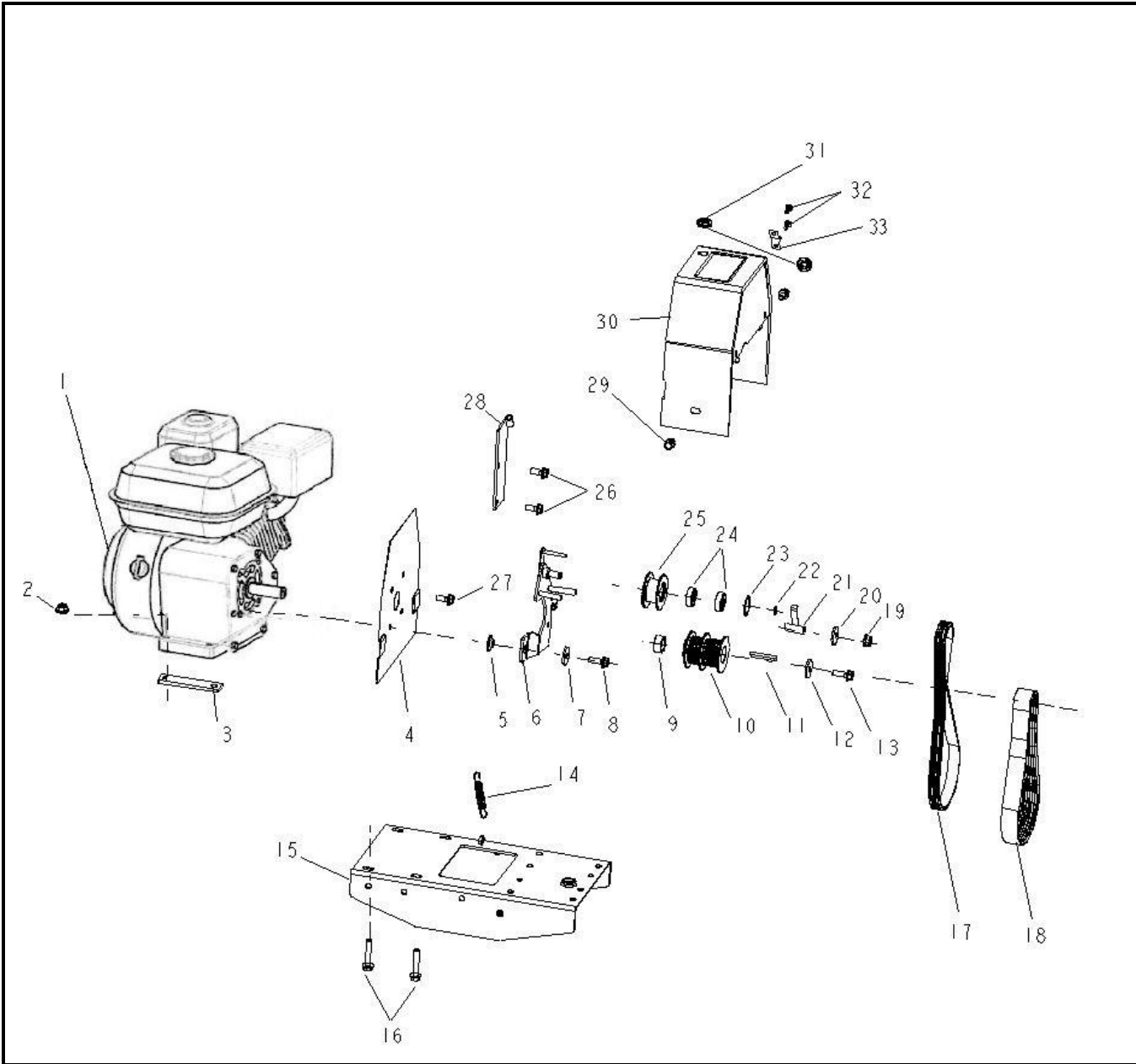
<b>Upper Handle Assembly</b> .....	2
<b>Forward Controls</b> .....	3-4
<b>Rear Controls</b> .....	5-6
<b>Tines &amp; Tine Shield</b> .....	7
<b>Transmission</b> .....	8-9
<b>Unit Decals</b> .....	10
<b>Engine Sub-Assemblies:</b>	
<b>Cylinder Head</b> .....	11
<b>Crankcase and Crankcase Cover</b> .....	12
<b>Camshaft</b> .....	13
<b>Recoil Starter</b> .....	14
<b>Carburetor</b> .....	15
<b>Flywheel / Ignition</b> .....	16
<b>Air Filter</b> .....	17
<b>Control Assembly</b> .....	18-19
<b>Muffler</b> .....	20
<b>Fuel Tank</b> .....	21
<b>Purge Valve</b> .....	22
<b>Ignition Coil</b> .....	23

# Upper Handle Assembly



REF. NO.	DESCRIPTION	PART NO.	QTY
1	Knob, Handle	A200486	4
2	Screw, M8 x 1.25 x 50, Carriage	A202629	4
3	Screw, M6 x 1.0 x 40, HFH, Grade 8.8, Zinc	Reference Only	1
4	Handle, Upper	A203116	1
5	Bushing, Rubber Clutch Lever	A200490	2
6	Lever, Forward Clutch	A203118	1
7	Screw, M6 x 1.0 x 45, HFH, Grade 8.8, Zinc	Reference Only	1
8	Grip, Handle	A200802	2
9	Lever, Reverse Clutch	A203119	1
10	Bracket, Clutch Cable Handle Mounting	A203117	1
11	Locknut, M6 x 1.0, Nylon Insert, Grade 8, Zinc	Reference Only	2
12	Cable, Forward Extension Control (1440mm)	A203120	1
13	Cable, Reverse Extension Control (1430mm)	A203121	1

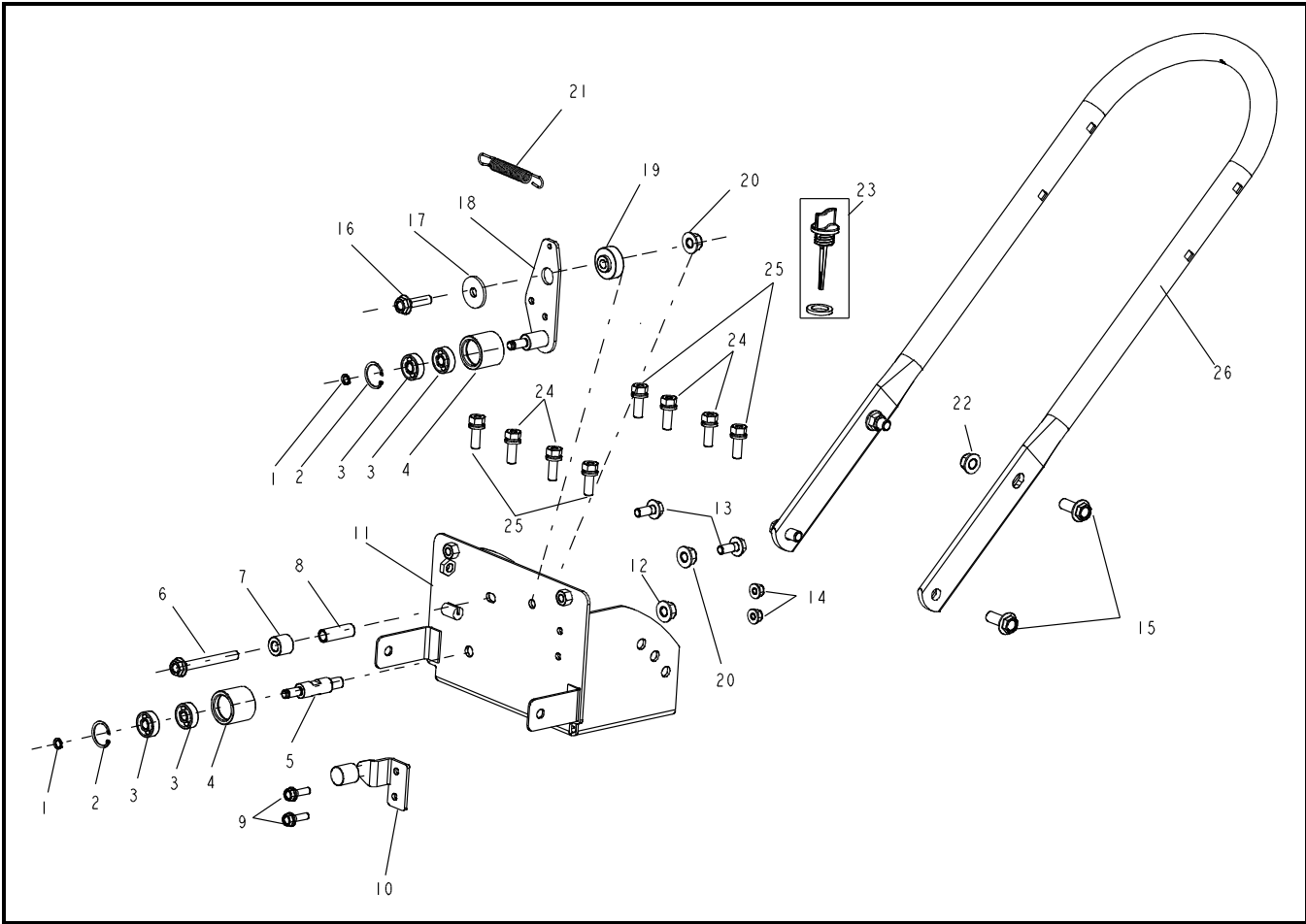
# Forward Controls



## Forward Controls (continued)

REF. NO.	DESCRIPTION	PART NO.	QTY
1	Engine, 212cc EPA3/CARB	A203826	1
2	Nut, M8 x 1.25, Hex, Grade 8, Zinc	<i>Reference Only</i>	8
3	Spacer, Engine Mounting	A200534	2
4	Plate, Belt Cover Mounting, Powermate Orange	A200505	1
5	Spacer, PM Bracket	A200542	1
6	Bracket, Reverse Tensioner	A203122	1
7	Flat Washer, 8.5 x 22.2 x 3mm	<i>Reference Only</i>	1
8	Screw, M8 x 1.25 x 25, Hex Head, Grade 8.8, Zinc	<i>Reference Only</i>	1
9	Bushing, Forward Pulley Shaft	A200509	1
10	Pulley, Forward Drive	A200510	1
11	Key, 4.78 x 5 x 45	A200511	1
12	Flat Washer, 8.5 x 24.5 x 4mm	<i>Reference Only</i>	1
13	Screw, 5/16-24 x 25, HFH, Grade 8.8, Zinc	<i>Reference Only</i>	1
14	Spring, Tension	A200544	1
15	Frame, Engine Mounting, Powermate Orange	A200536	1
16	Screw, M8 x 1.25 x 40, Hex, Grade 8.8, Zinc	<i>Reference Only</i>	4
17	Belt, Reverse Drive, 5PK730	A200528	1
18	Belt, Forward Drive, 7PK597	A200512	1
19	Nut, M8 x 1.25, Hex Flange	<i>Reference Only</i>	1
20	Flat Washer, M8	<i>Reference Only</i>	1
21	Guide, Belt	A203136	1
22	Circlip, 10	<i>Reference Only</i>	1
23	Circlip, 30	<i>Reference Only</i>	1
24	Bearing, 6200-2RZ	<i>Reference Only</i>	2
25	Pulley, Reverse Tensioner	A200527	1
26	Screw Assembly, M8 x 1.25 x 16, Hex Head	<i>Reference Only</i>	2
27	Screw Assembly, M8 x 1.0 x 16, Hex Head	<i>Reference Only</i>	5
28	Plate, Reverse Cable Belt Mounting	A203123	1
29	Screw, M8 x 1.25 x 16, Hex Head, Grade 8.8, Zinc	<i>Reference Only</i>	2
30	Cover, Belt, Powermate Orange	A203124	1
31	Grommet, Belt Cover Rubber	A200569	2
32	Screw, 4.2 x 9.5	<i>Reference Only</i>	2
33	Fastener, Cable	A203138	1

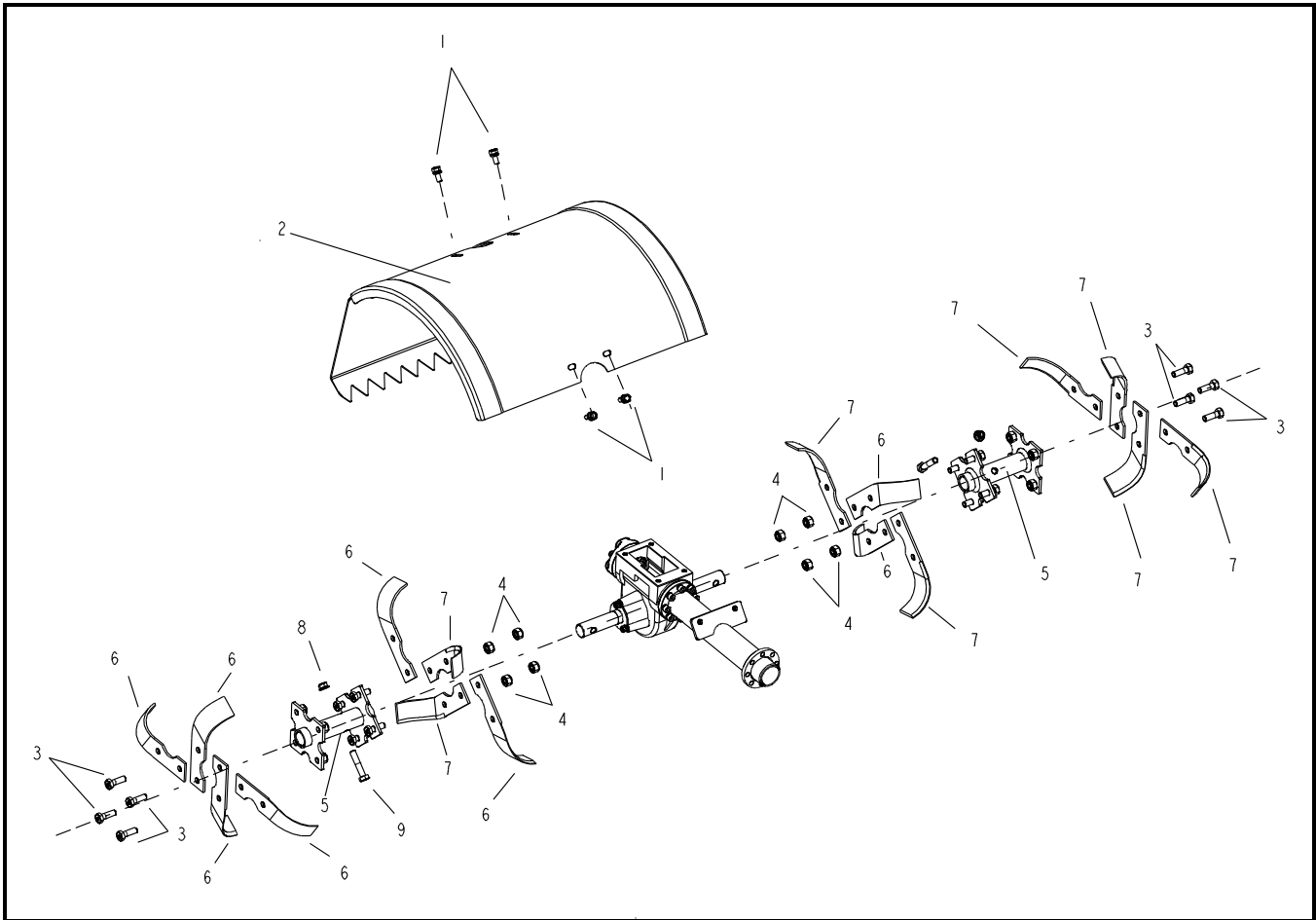
# Rear Controls



## Rear Controls (continued)

REF. NO.	DESCRIPTION	PART NO.	QTY
1	Circlip, 8	A200547	2
2	Circlip, 24	<i>Reference Only</i>	2
3	Bearing, 628-2RZ	<i>Reference Only</i>	4
4	Pulley, Forward Tensioner	A200549	2
5	Shaft, Forward Tensioner	A200559	1
6	Screw, M8 x 1.25 x 65, Hex Head, Grade 8.8, Zinc	<i>Reference Only</i>	1
7	Bushing, 2	A200558	1
8	Bushing, 3	A200560	1
9	Screw, M6 x 1.0 x 20, Hex Head, Grade 8.8, Zinc	<i>Reference Only</i>	2
10	Guide, Reverse Belt	A200557	1
11	Frame, Handle Mounting, Powermate Orange	A203127	1
12	Nut, M10 x 1.5, Hex Flange	<i>Reference Only</i>	1
13	Screw, M8 x 1.25 x 16, Hex Head, Grade 8.8, Zinc	<i>Reference Only</i>	2
14	Nut, M6 x 1.0, Hex	<i>Reference Only</i>	2
15	Screw, M10 x 1.5 x 25, Hex Head, Grade 8.8, Zinc	<i>Reference Only</i>	4
16	Screw, M8 x 1.25 x 30, Hex Head, Grade 8.8, Zinc	<i>Reference Only</i>	1
17	Flange Washer, 8.5 x 30 x 3mm, Zinc	A200513	1
18	Arm, Clutch Bracket	A203129	1
19	Bushing, Shaft Tensioner	A200552	1
20	Nut, M8 x 1.25, Hex Flange	<i>Reference Only</i>	1
21	Spring, Tension	A200544	1
22	Nut, M10 x 1.5, Hex, Grade 8, Zinc	<i>Reference Only</i>	2
23	Assembly, Dipstick	A203137	1
24	Screw Assembly, M8 x 1.25 x 25, Hex Head	<i>Reference Only</i>	9
25	Screw Assembly, M8 x 1.25 x 20, Hex Head	<i>Reference Only</i>	10
26	Handle, Lower	A202636	1

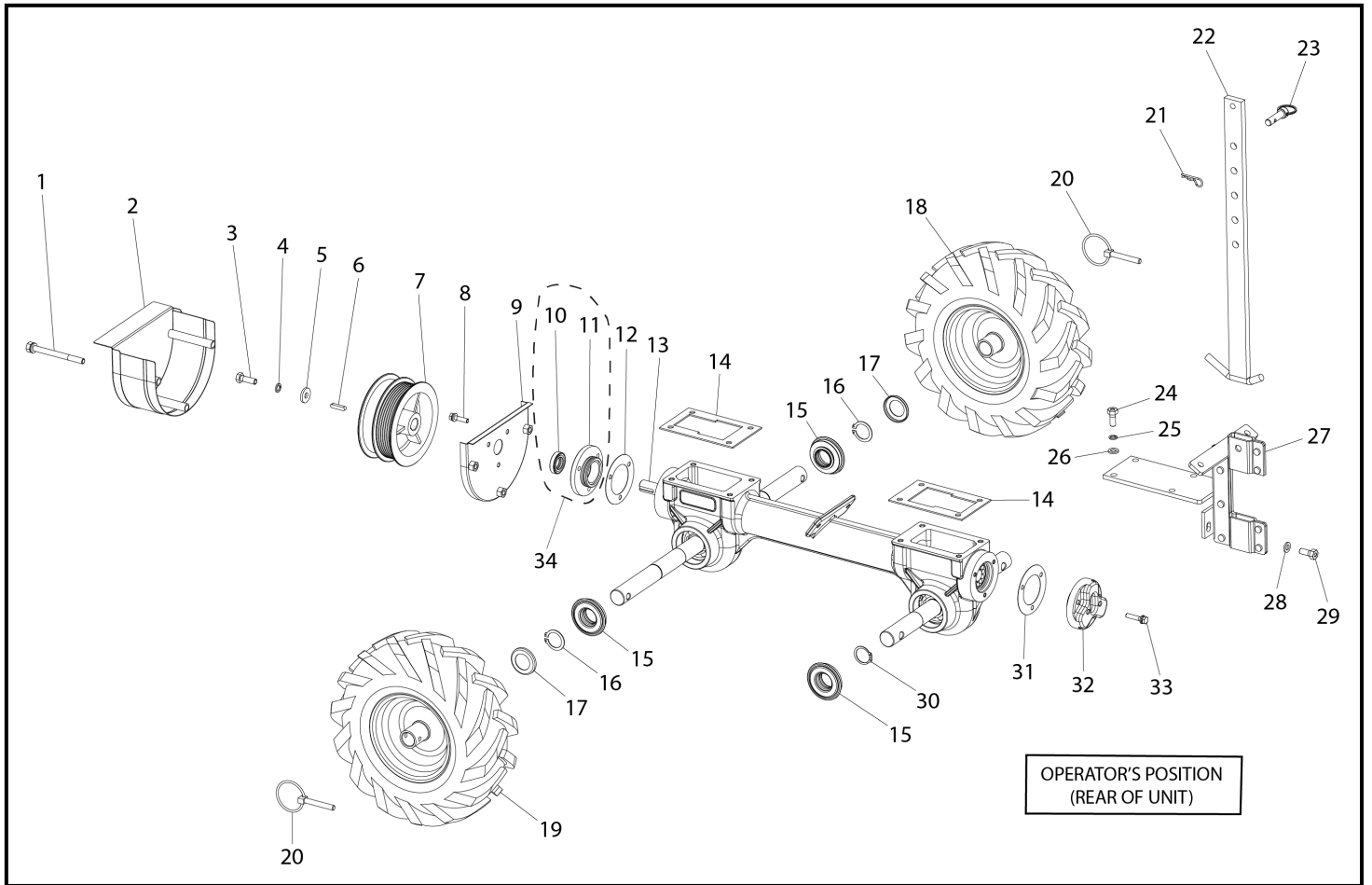
# Tines & Tine Shield



REF. NO.	DESCRIPTION	PART NO.	QTY
1	Screw, M8 x 1.25 x 20, Hex Head, Grade 8.8, Zinc	<i>Reference Only</i>	4
2	Shield, Main Tine, Powermate Orange	A200572	1
3	Screw, M8 x 1.25 x 25, Hex Head	<i>Reference Only</i>	16
4	Nut, M8 x 1.25, Hex, Nylon Insert	<i>Reference Only</i>	16
5	Hub, Tine	A203130	2
6	Tines, Right	A202957	8
7	Tines, Left	A202956	8
8	Nut, M10 x 1.5, Hex	<i>Reference Only</i>	2
9	Screw, M10 x 1.5 x 50, Hex Head	<i>Reference Only</i>	2



# Transmission



## Transmission (continued)

REF. NO.	DESCRIPTION	PART NO.	QTY
1	Screw, M8 x 1.25 x 90, Hex Head, Grade 8.8, Zinc	A200583	3
2	Cover, Lower Front Belt, Powermate Orange	A200584	1
3	Screw, M8 x 1.25 x 25, Hex Head, Grade 8.8, Zinc	<i>Reference Only</i>	1
4	Lock Washer, M8, Zinc	<i>Reference Only</i>	1
5	Flat Washer, M8, Zinc	<i>Reference Only</i>	1
6	Key, 5 x 5 x 25	A200586	1
7	Pulley, Transmission	A200587	1
8	Screw, M6 x 1.0 x 25, Hex Head, Grade 8.8, Zinc	<i>Reference Only</i>	3
9	Cover, Lower Stationary Belt, Powermate Orange	A200589	1
10	Seal, Transmission Oil, 20 x 37 x 7	<i>Reference Only</i>	1
11	Cover, Front Transmission	<i>Reference Only</i>	1
12	Gasket, Transmission	A203887	2
13	Kit, Transmission Assembly	A203888	1
14	Gasket, Transmission Gearbox	A200538	2
15	Seal, Transmission Oil	A203889	4
16	C-Clip, 25	A200599	2
17	Spacer, Wheel Shaft	A200598	2
18	Tire, 13" Right (Determined from Operator's Position)	A200809	1
19	Tire, 13" Left (Determined from Operator's Position)	A200597	1
20	Pin, Wheel Lock	A200596	2
21	Pin, Cotter	<i>Reference Only</i>	1
22	Bar, Drag	A200576	1
23	Pin, Drag Bar	A200577	1
24	Screw, M8 x 1.25 x 25, Hex Head, Grade 8.8, Zinc	<i>Reference Only</i>	4
25	Lock Washer, M8, Zinc	<i>Reference Only</i>	4
26	Flat Washer, M8, Zinc	<i>Reference Only</i>	4
27	Frame, Drag Bar Mounting	A200574	1
28	Flat Washer, M8, Zinc	<i>Reference Only</i>	2
29	Screw, M8 x 1.25 x 20, Hex Head, Grade 8.8, Zinc	<i>Reference Only</i>	2
30	C-Clip, 24	A203891	2
31	Gasket, Transmission	A200592	2
32	Cover, Transmission Rear	A203890	1
33	Screw, M6 x 1.0 x 25, Hex Head, Grade 8.8, Zinc	<i>Reference Only</i>	3
34	Kit, Transmission Front Cover with Seal	A203886	1

# Unit Decals

**Powermate**  
10.3 FT-LBS\* OHV / 212 / 18 INCH TILLING WIDTH  
CC ENGINE

**212 CC** 10.3 FT-LBS\* OHV ENGINE  
18 INCH TILLING WIDTH  
REAR TINE TILLER

**PRTT212**  
Powermate Rear Tine Tiller

MFG Date Code: 8 46236101071 8

**10W30**  
10W30  
10W30  
10W30

WHEN STARTING ENGINE PLACE FREE HAND HERE

**CLUTCH CONTROL**

DISENGAUGE ENGAGE

**WARNING**  
AVOID SERIOUS INJURY OR DEATH.

- Read and follow operator's manual.
- Know location and functions of all controls.
- Keep all safety devices and shields in place and working.
- Never allow children or untrained adults to operate machine.
- Keep bystanders away from machine.
- Keep away from rotating parts.
- Use extreme caution when reversing / pulling the machine towards you.
- Shut off engine before manually unclogging tines or making repairs.

**GEAR DRIVE TRANSMISSION**

**CRT** Counter Rotating Tine **CRT** Counter Rotating Tine

**REVERSE** **FORWARD**

**WARNING**  
Read and follow Operating Instructions before starting engine.

Gasoline is flammable. Allow engine to cool at least 2 minutes before refueling.

Engines emit carbon monoxide. DO NOT run in enclosed area.

**Use Regular Unleaded Gasoline with a Minimum of 87 Octane**  
Do Not Use Ethanol Fuel Containing More than 10% Ethanol

**AIR FILTER MAINTENANCE**  
Check air filter often. Clean or replace as needed. Do not use compressed air to clean filter. If filter is dirty, it will reduce engine performance and increase fuel consumption. Replace filter when it is dirty or damaged. Do not use compressed air to clean filter. If filter is dirty, it will reduce engine performance and increase fuel consumption. Replace filter when it is dirty or damaged. Do not use compressed air to clean filter.

**NOTICE**  
Before each use, verify tire pressure is 25 - 30 PSI to avoid tire damage.

**NOTICE**  
Before each use, verify tire pressure is 25 - 30 PSI to avoid tire damage.

**CRUISE FUEL** **ON**

**START CHOKE** **ON**

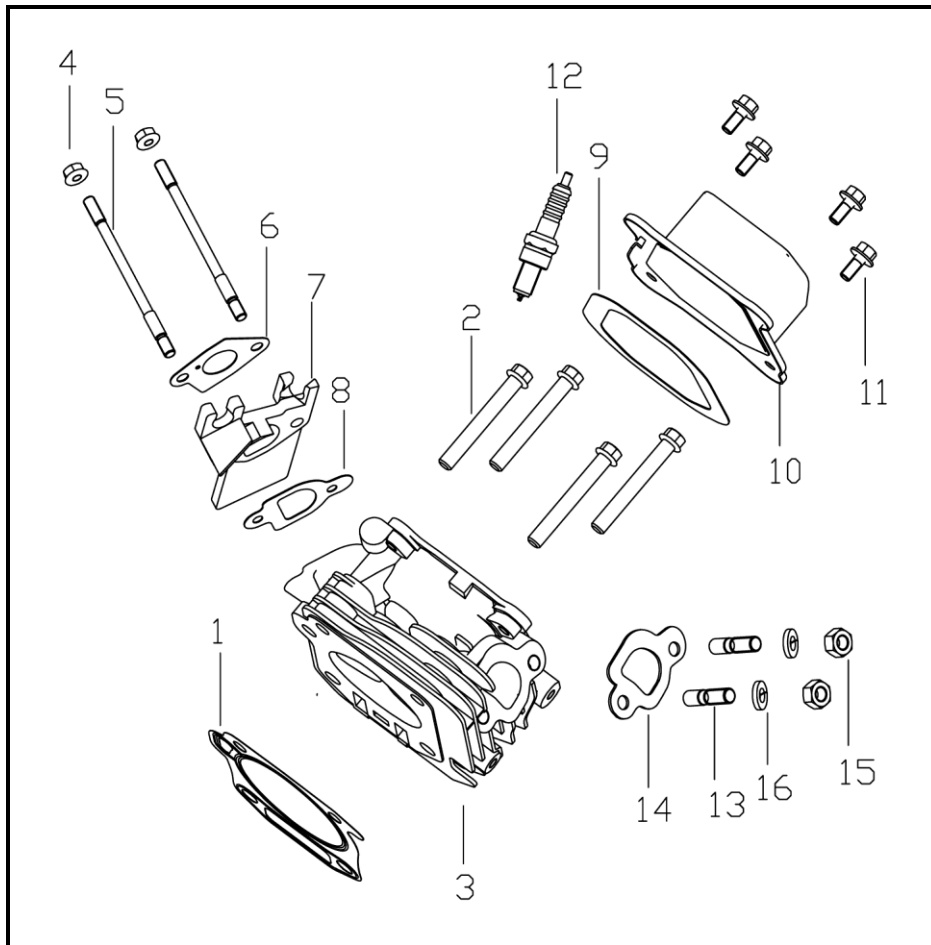
**ENGINE START-UP INSTRUCTIONS**

**2.85" X 2.25"**

**FOUR-STROKE ENGINE OIL**  
19 oz (.56L)  
Suitable for air-cooled, fourstroke engines.  
SEE OPERATOR'S MANUAL FOR PROPER FILL INSTRUCTIONS

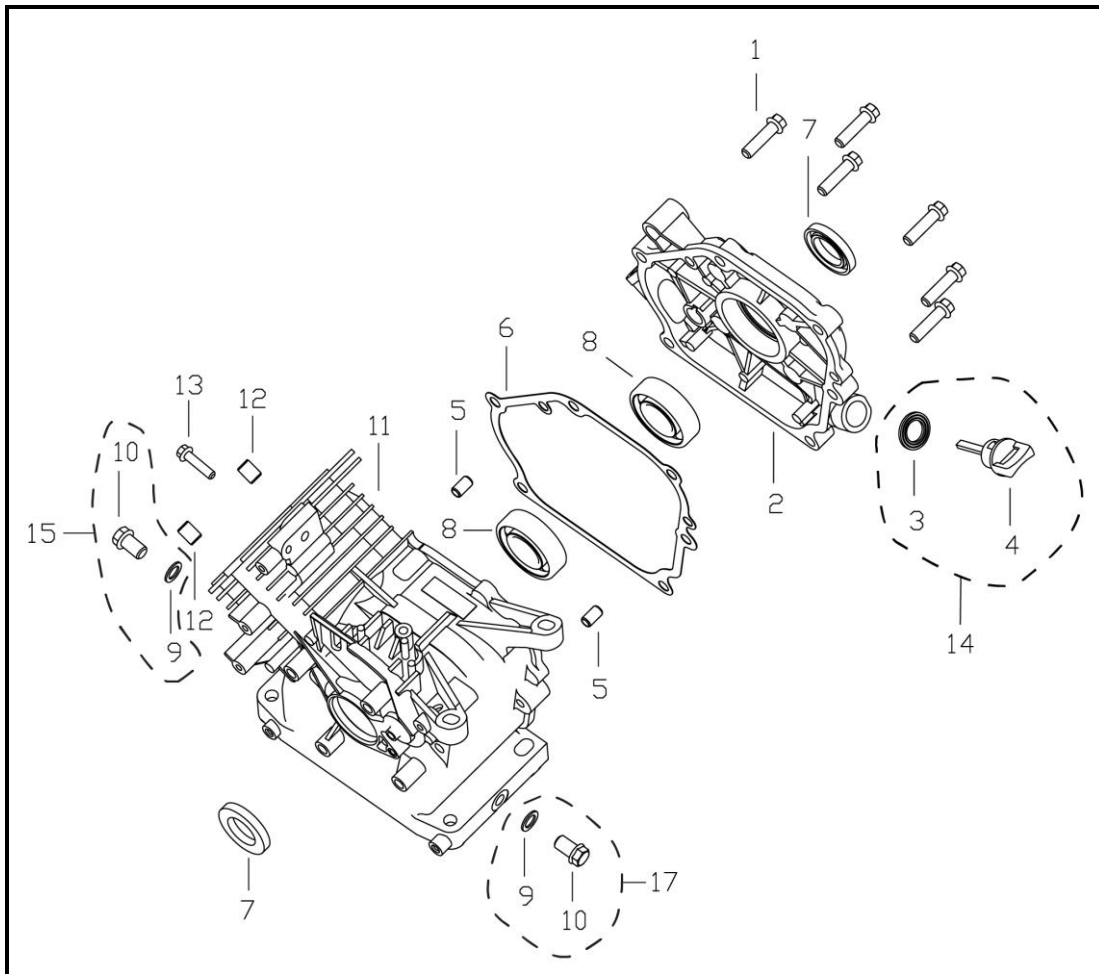
REF. NO.	DESCRIPTION	PART NO.	QTY
1	Decal Sheet, PRTT212	A203996	1

# Cylinder Head



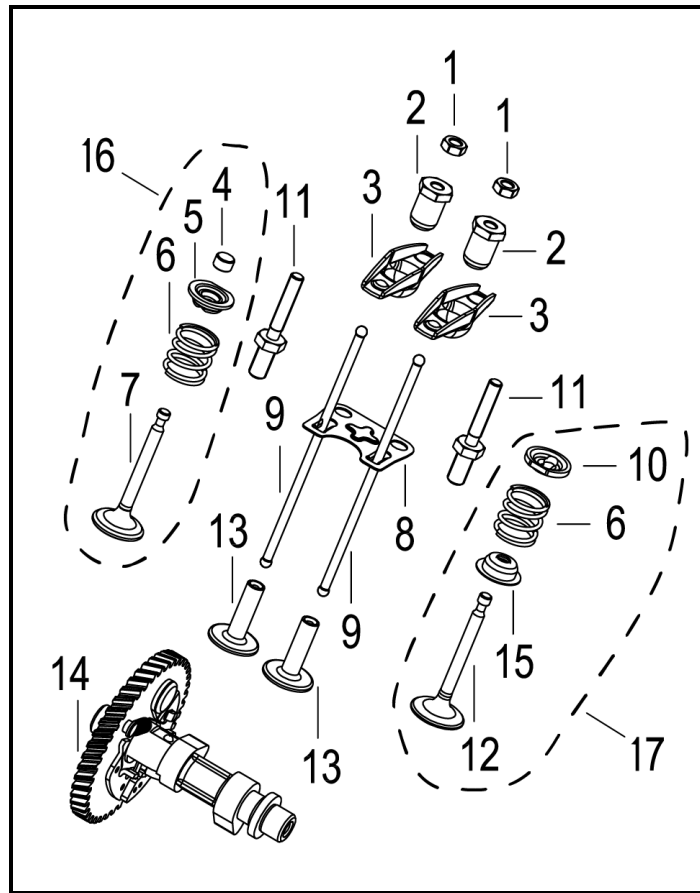
REF. NO.	DESCRIPTION	PART NO.	QTY
1	Gasket, Cylinder Head	A203943	1
2	Screw, M8 x 1.25 x 60, HFH	<i>Reference Only</i>	4
3	Cylinder Head	<i>Reference Only</i>	1
4	Nut, M6 x 1.0, HFH	<i>Reference Only</i>	2
5	Stud, Double End	A101225	2
6	Gasket, Intake 2	A101226	1
7	Spacer	A101227	1
8	Gasket, Intake 1	A101228	1
9	Gasket, Cylinder Head Cover	A101230	1
10	Cover, Cylinder Head	A101231	1
11	Screw, M6 x 1.0 x 14, HFH	<i>Reference Only</i>	4
12	Spark Plug	A101232	1
13	Stud, Double End	A100735	2
14	Gasket, Exhaust	A101234	1
15	Nut, M8 x 1.25, Hex	<i>Reference Only</i>	2
16	Lock Washer	<i>Reference Only</i>	2

# Crankcase and Crankcase Cover



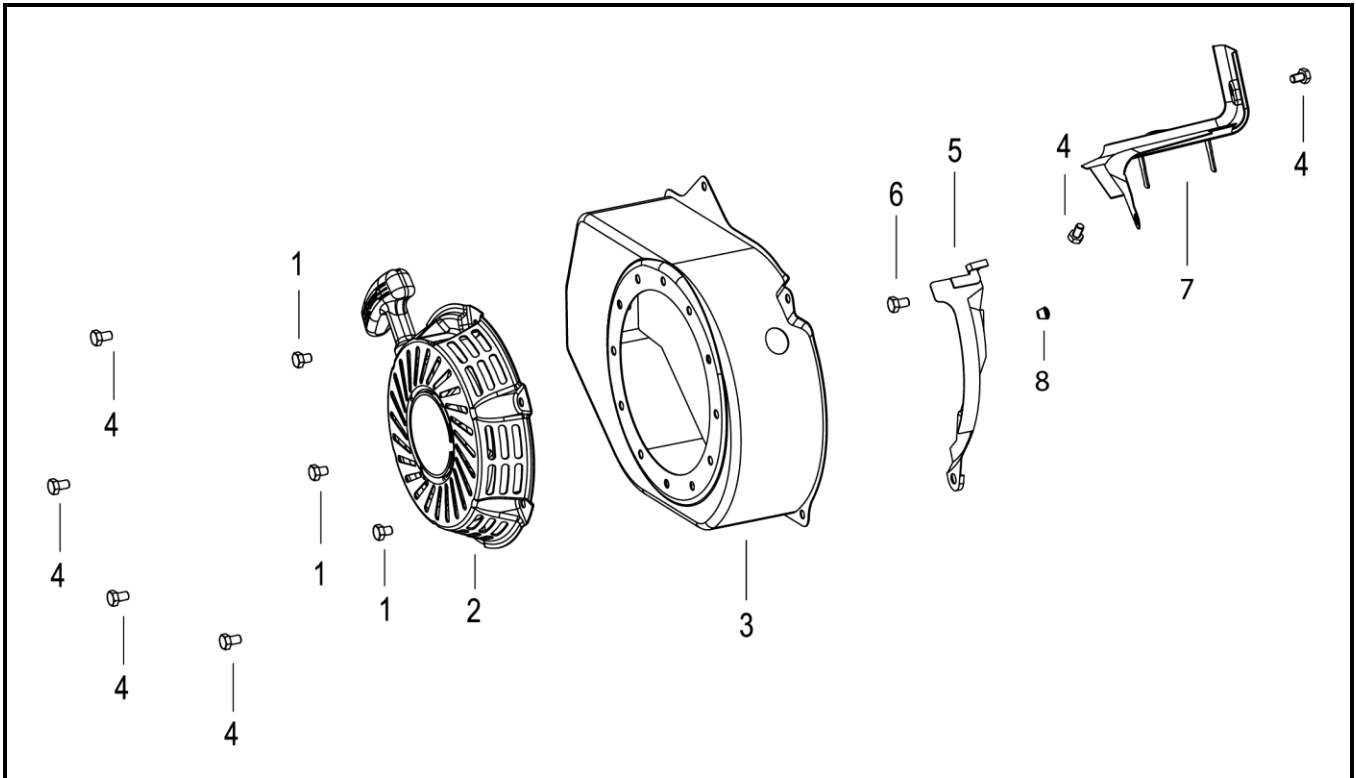
REF. NO.	DESCRIPTION	PART NO.	QTY
1	Screw, M8 x 1.25 x 30, HFH	Reference Only	6
2	Cover, Crankcase	Reference Only	1
3	Seal, Dipstick Oil	Reference Only	1
4	Dipstick	Reference Only	1
5	Dowel, Guide	Reference Only	2
6	Gasket, Crankcase	A101166	1
7	Seal, Oil	A100675	2
8	Bearing	A101137	2
9	Washer, Drain Plug	Reference Only	2
10	Plug, Drain	Reference Only	2
11	Assembly, Crankcase	Reference Only	1
12	Dowel, Guide	Reference Only	2
13	Screw, M6 x 1.0 x 30, HFH	Reference Only	1
14	Kit, Dipstick	A203945	1
15	Kit, Oil Drain Plug	A203946	1

# Camshaft



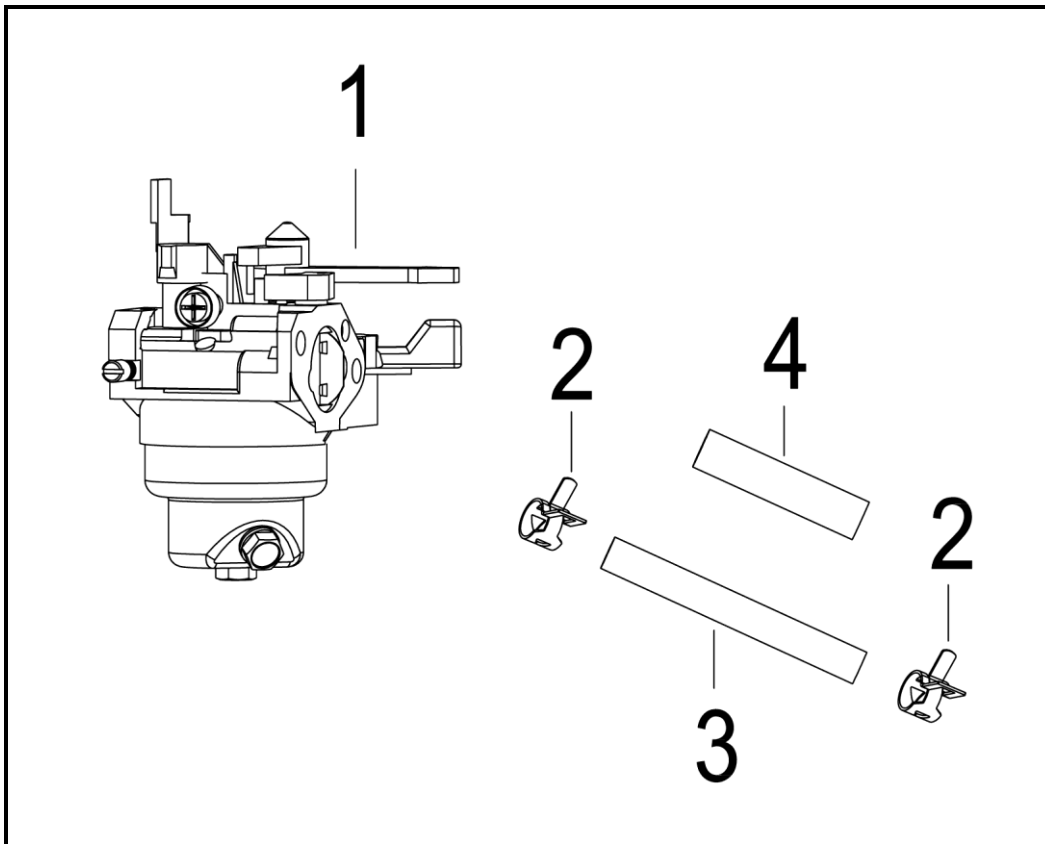
REF. NO.	DESCRIPTION	PART NO.	QTY
1	Nut	Reference Only	2
2	Arm, Buttonhead	Reference Only	2
3	Arm	Reference Only	2
4	Cap, Exhaust Rod	Reference Only	1
5	Retainer, Exhaust Valve Spring Upper	Reference Only	1
6	Spring, Valve	Reference Only	2
7	Valve, Exhaust	Reference Only	1
8	Plate, Connecting Rod Guide	Reference Only	1
9	Rod, Connecting	Reference Only	2
10	Retainer, Intake Valve Spring Upper	Reference Only	1
11	Stud, Valve Clearance Adjusting	Reference Only	2
12	Valve, Intake	Reference Only	1
13	Stud, Connecting	Reference Only	2
14	Camshaft	Reference Only	1
15	Seal, Valve Oil	Reference Only	1
16	Kit, Exhaust Valve	A203947	1
17	Kit, Intake Valve	A203948	1

# Recoil Starter



REF. NO.	DESCRIPTION	PART NO.	QTY
1	Screw, M6 x 1.0 x 8, Hex Head	<i>Reference Only</i>	3
2	Assembly, Recoil Starter	A203949	1
3	Assembly, Engine Side Cover	A203950	1
4	Screw, M6 x 1.0 x 10, Hex Head	<i>Reference Only</i>	6
5	Shield 1	A200198	1
6	Screw, M6 x 1.0 x 20, Hex Head	<i>Reference Only</i>	1
7	Shield 2	A203951	1
8	Plug, Rubber	A101217	1

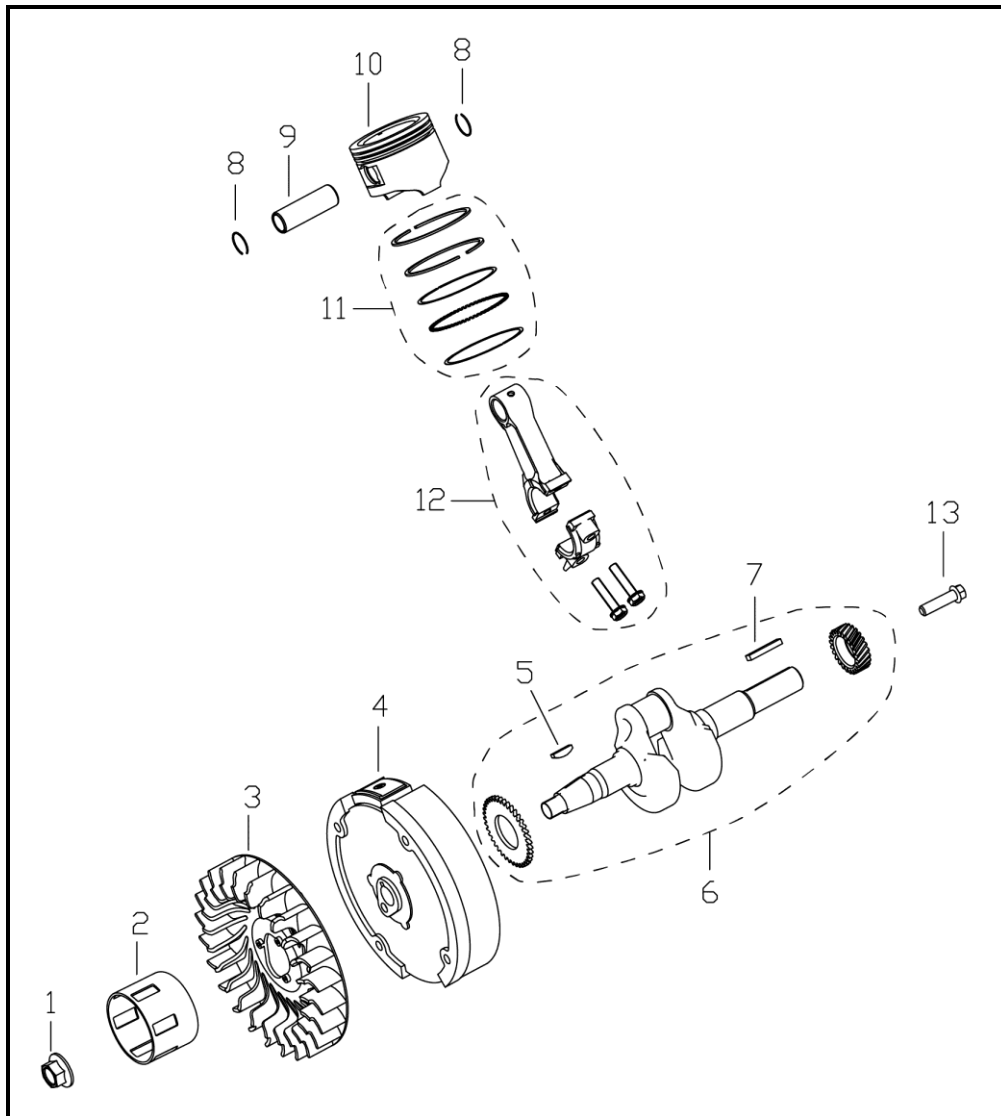
# Carburetor



REF. NO.	DESCRIPTION	PART NO.	QTY
1	Assembly, Carburetor	A203952	1
2	Clamp, Fuel Line	A100677	2
3	Line, Fuel	A101180	1
4	Jacket, Fuel Line	A203953	1

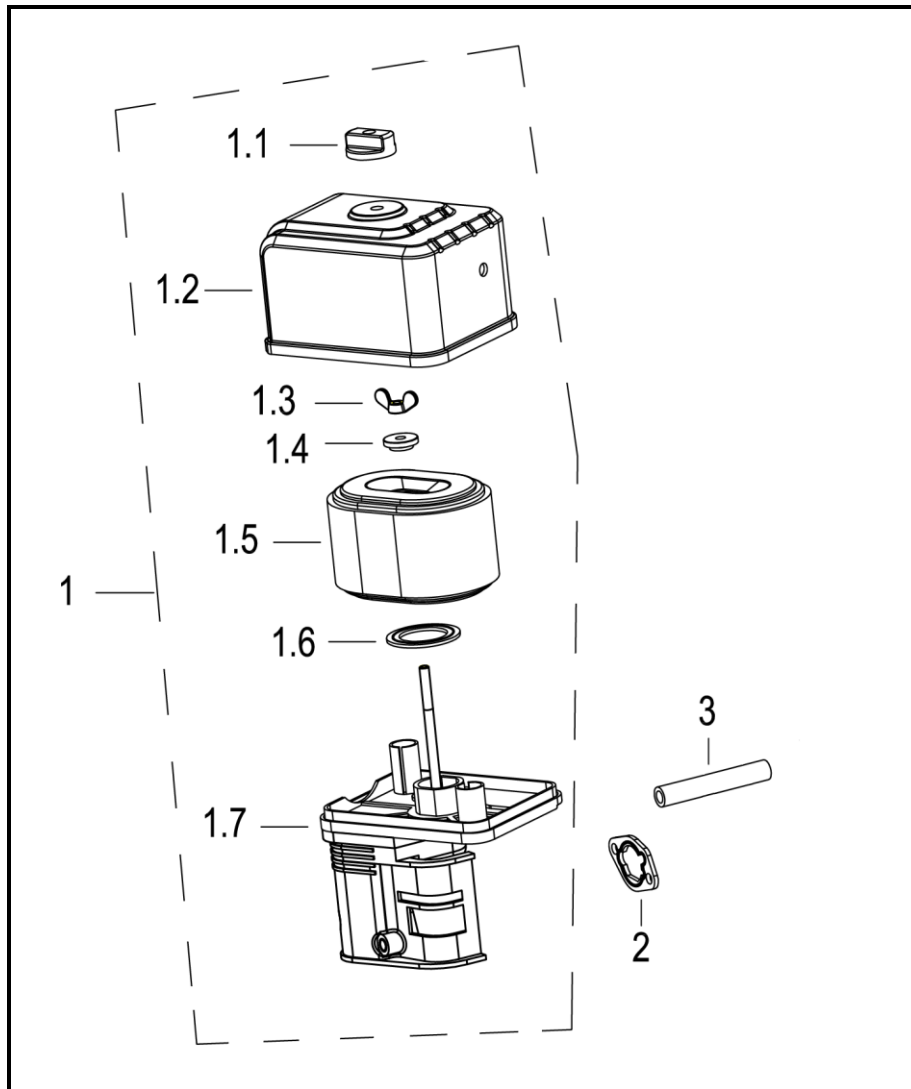


# Flywheel / Ignition



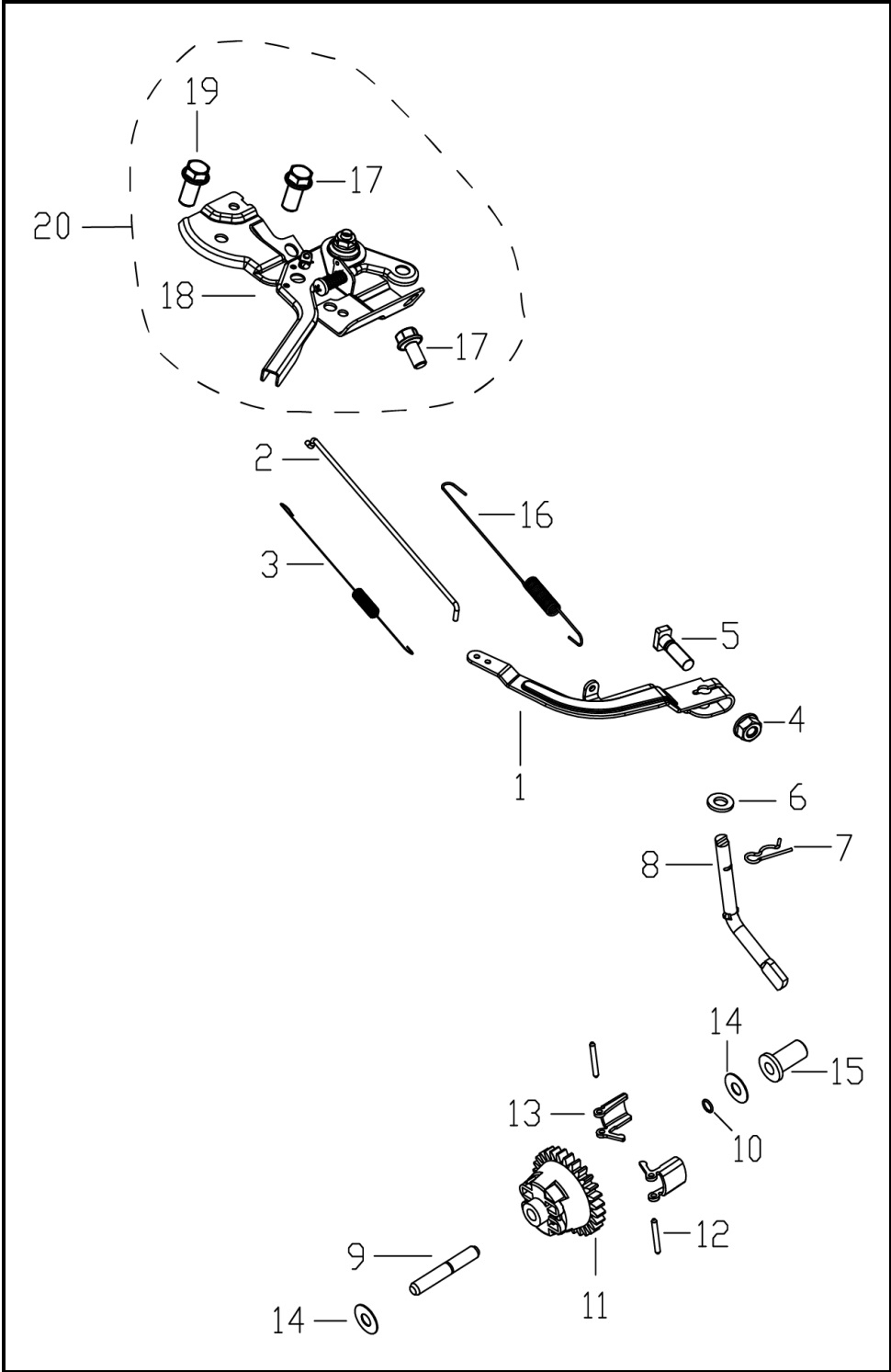
REF. NO.	DESCRIPTION	PART NO.	QTY
1	Nut, Clamp	A101186	1
2	Gear, Start-Up Ratchet	A203954	1
3	Fan, Recoil	A101187	1
4	Flywheel	A101188	1
5	Key	A203955	1
6	Assembly, Crankshaft	<i>Reference Only</i>	1
7	Key	A203956	1
8	Circlip, Piston Pin	<i>Reference Only</i>	2
9	Pin, Piston	<i>Reference Only</i>	1
10	Piston	<i>Reference Only</i>	1
11	Assembly, Piston Ring	<i>Reference Only</i>	1
12	Assembly, Connecting Rod	<i>Reference Only</i>	1
13	Screw, 5/16-24 x 1.0" Long, HFH	<i>Reference Only</i>	1

# Air Filter



REF. NO.	DESCRIPTION	PART NO.	QTY
1	Assembly, Air Filter	A203957	1
1.1	Knob	<i>Reference Only</i>	1
1.2	Cover, Air Filter	<i>Reference Only</i>	1
1.3	Wing Nut	<i>Reference Only</i>	1
1.4	Seal, Filter Element	<i>Reference Only</i>	1
1.5	Element, Filter	A101172	1
1.6	Spacer	A203959	1
1.7	Cover, Air Filter Lower	<i>Reference Only</i>	1
2	Spacer	A203960	1
3	Tube, Breather	A203961	1

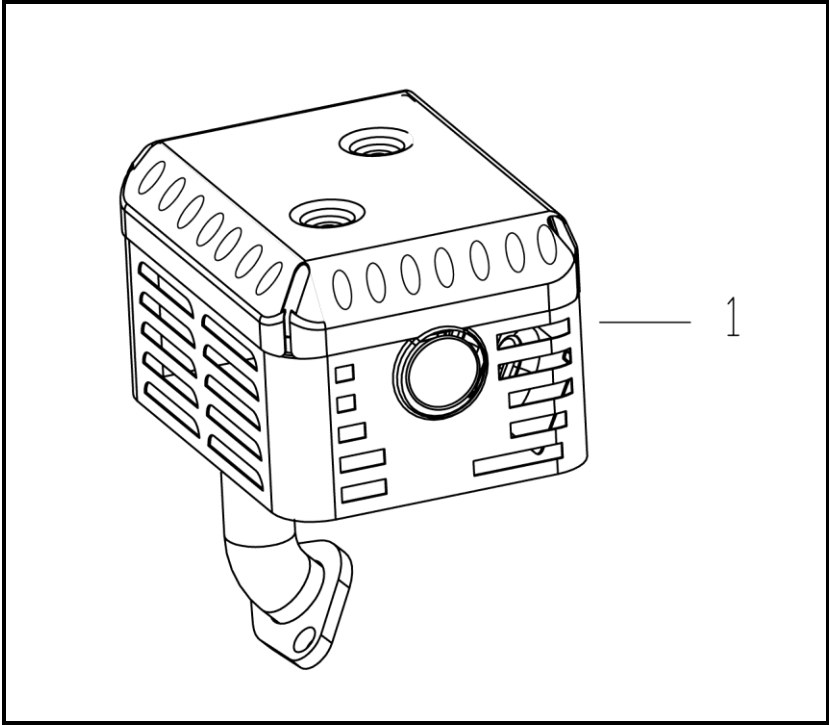
# Control Assembly



## Control Assembly (continued)

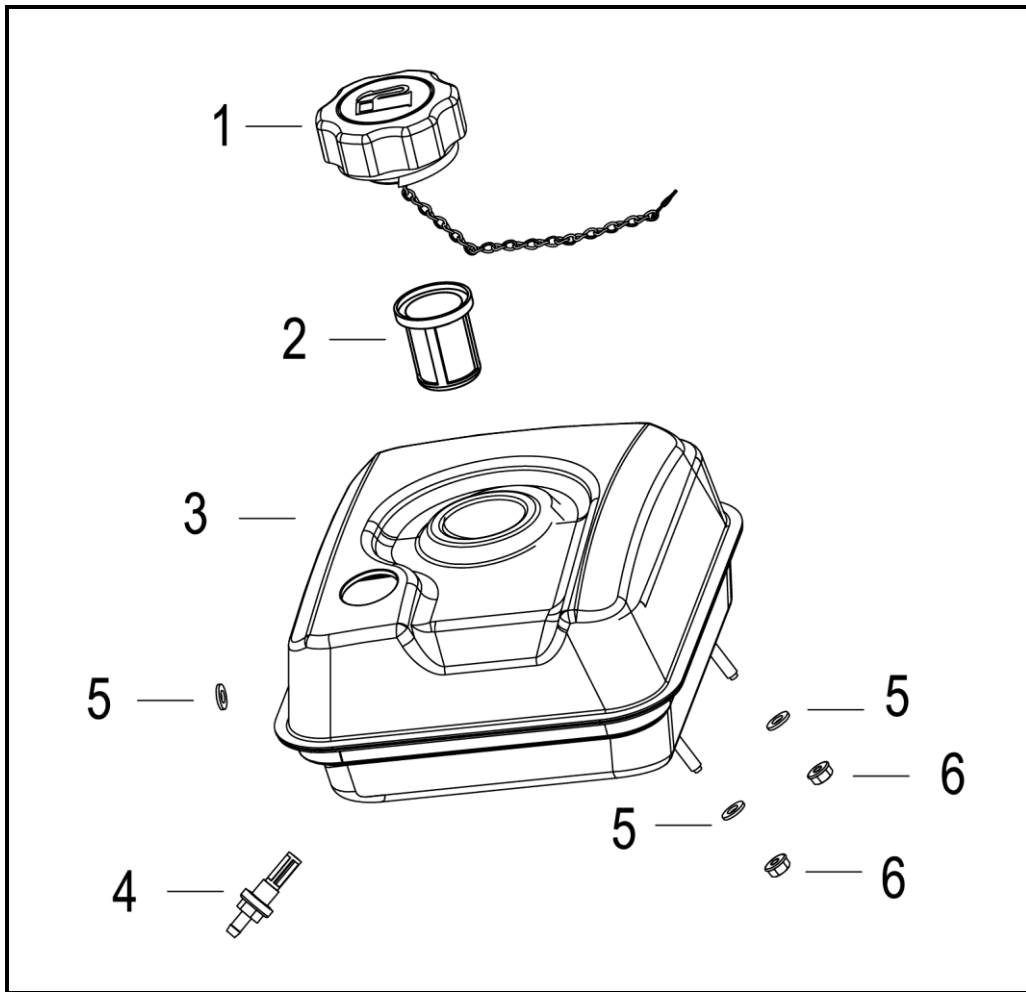
REF. NO.	DESCRIPTION	PART NO.	QTY
1	Arm	A101235	1
2	Rod, Tension	A101236	1
3	Spring, Tension, 1	A101237	1
4	Nut	A101139	1
5	Bolt, Square	A101238	1
6	Spacer, 1	<i>Reference Only</i>	1
7	Pin, Hair	A100636	1
8	Crank, Governor	<i>Reference Only</i>	1
9	Pin	<i>Reference Only</i>	1
10	Circlip	<i>Reference Only</i>	1
11	Body, Centrifugal Governor	<i>Reference Only</i>	1
12	Pin	<i>Reference Only</i>	2
13	Pawl	<i>Reference Only</i>	2
14	Spacer, 2	<i>Reference Only</i>	2
15	Cover, Push Rod	<i>Reference Only</i>	1
16	Spring, Tensioner, 2	A101246	1
17	Screw	<i>Reference Only</i>	2
18	Mechanism, RPM Adjustment	<i>Reference Only</i>	1
19	Screw	<i>Reference Only</i>	1
20	Kit, RPM Adjustment Mechanism	A203963	1

# Muffler



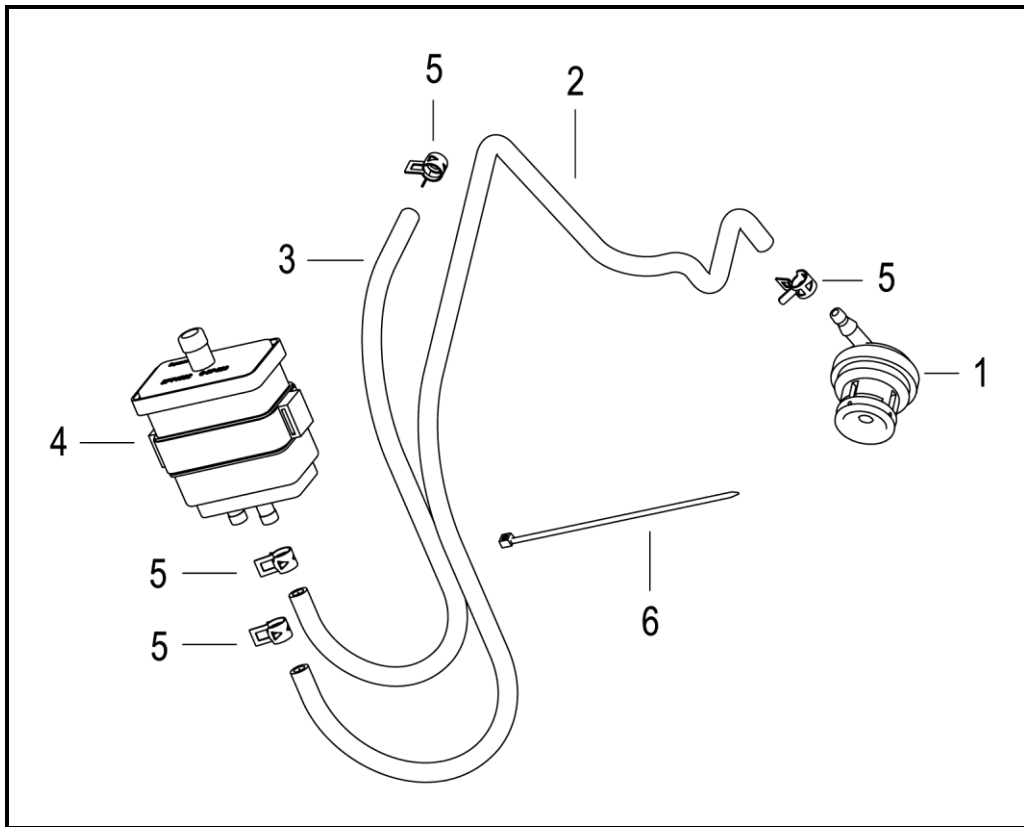
REF. NO.	DESCRIPTION	PART NO.	QTY
1	Muffler	A203964	1

# Fuel Tank



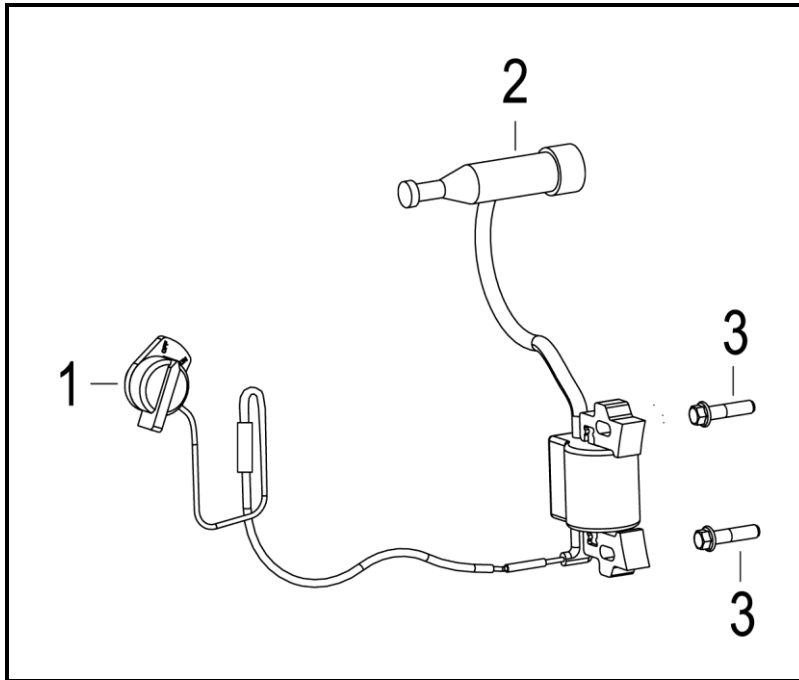
REF. NO.	DESCRIPTION	PART NO.	QTY
1	Cap, Fuel Tank	A100622	1
2	Filter, Fuel Cap	A203965	1
3	Tank, Fuel	A203966	1
4	Filter, In-Line Fuel	A101191	1
5	Isolator, Fuel Tank	A101195	3
6	Nut	<i>Reference Only</i>	2

# Purge Valve



REF. NO.	DESCRIPTION	PART NO.	QTY
1	Assembly, Purge Valve	A202602	1
2	Hose, 1	A203967	1
3	Hose, 2	A203968	1
4	Tank, Carbon	A203969	1
5	Clamp, Fuel Line	A100677	4
6	Tie, Cable	<i>Reference Only</i>	1

# Ignition Coil



REF. NO.	DESCRIPTION	PART NO.	QTY
1	Assembly, Ignition Switch	A200195	1
2	Coil, Ignition	A200194	1
3	Screw, M6 x 1.0 x 25, HFH	<i>Reference Only</i>	2