



ILLUSTRATED PARTS BOOK

150cc Front Tine Tiller

PFTT142

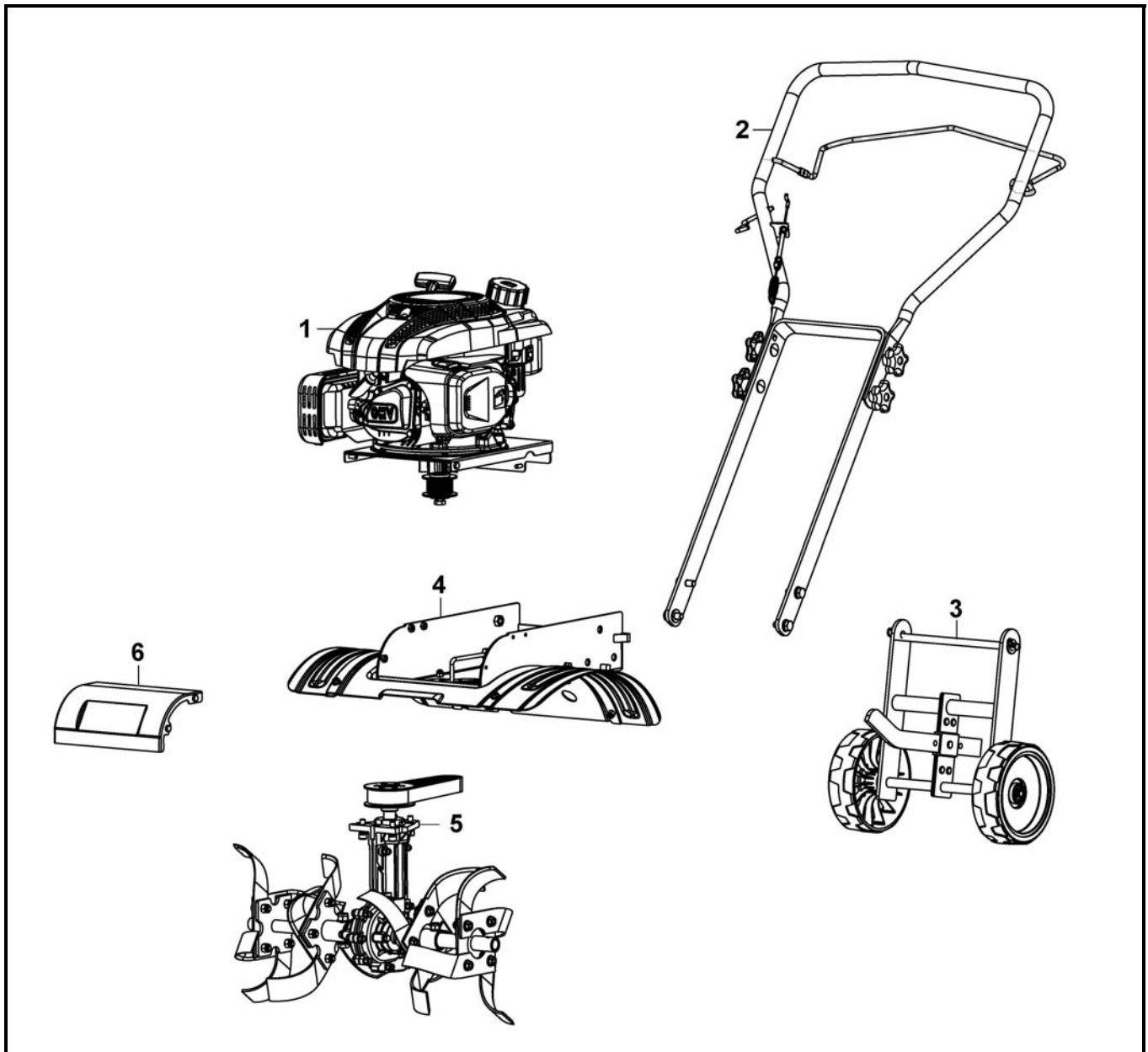
PFTT142.1



# Table of Contents

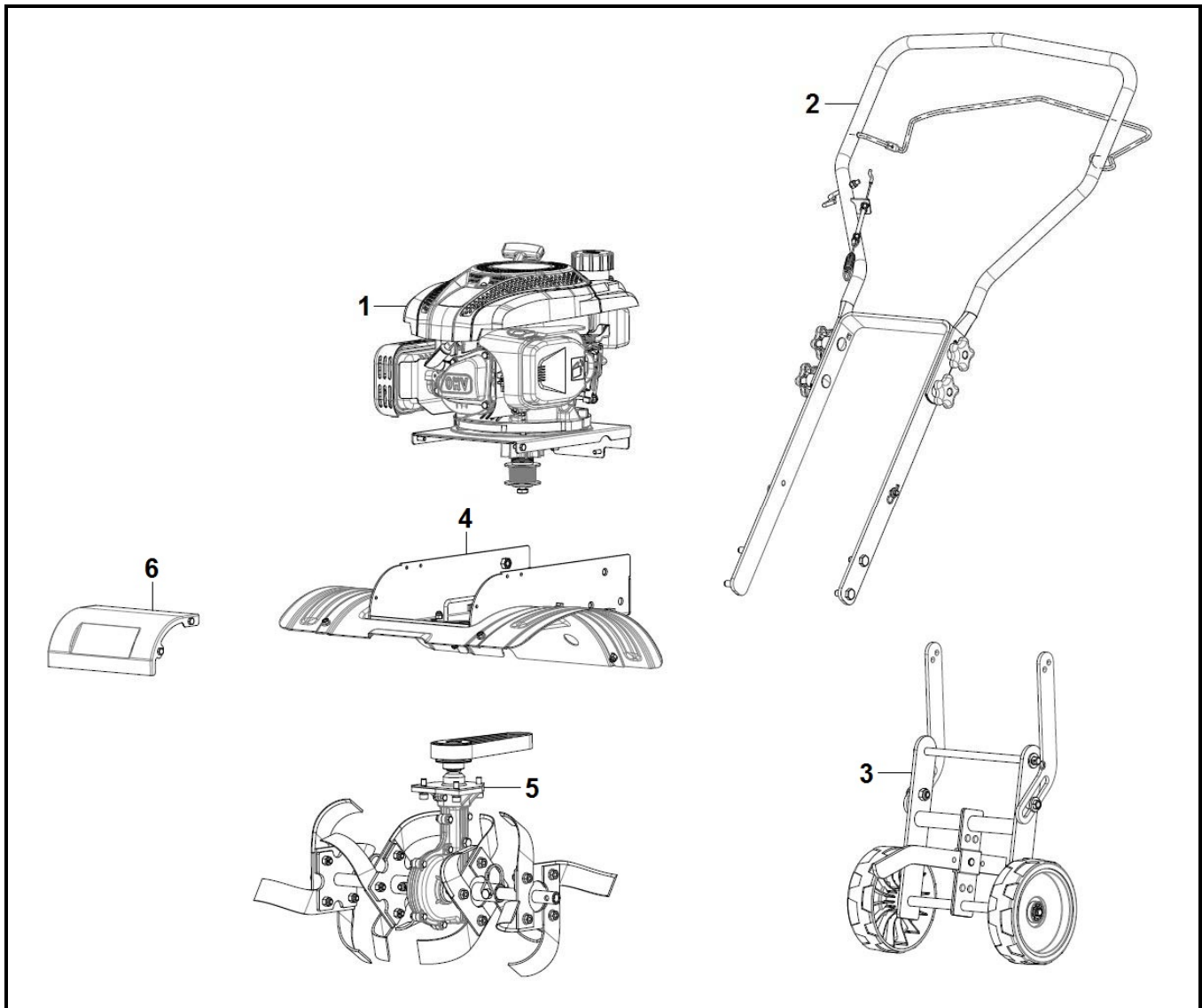
Top Level Assembly.....	2-3
Engine - Top Level Assembly.....	4
Handle Assembly.....	5-6
Swing Plate Assembly.....	7-8
Base Assembly.....	9
Tine and Transmission Assembly.....	10-11
Inspection Plates.....	12
Unit Decals.....	13
<u>RV150 Engine EPA3 (A202701)</u>	
Crankcase.....	14
Crankcase Cover.....	14
Cylinder Head Cover.....	15
Engine Shroud & Recoil.....	15
Carburetor.....	16
Throttle and Governor Control Assembly.....	16
Fuel Tank.....	17
Flywheel / Ignition.....	17
Air Filter.....	18
Muffler.....	18
Engine Decals.....	19

# Top Level Assembly – For PFTT142



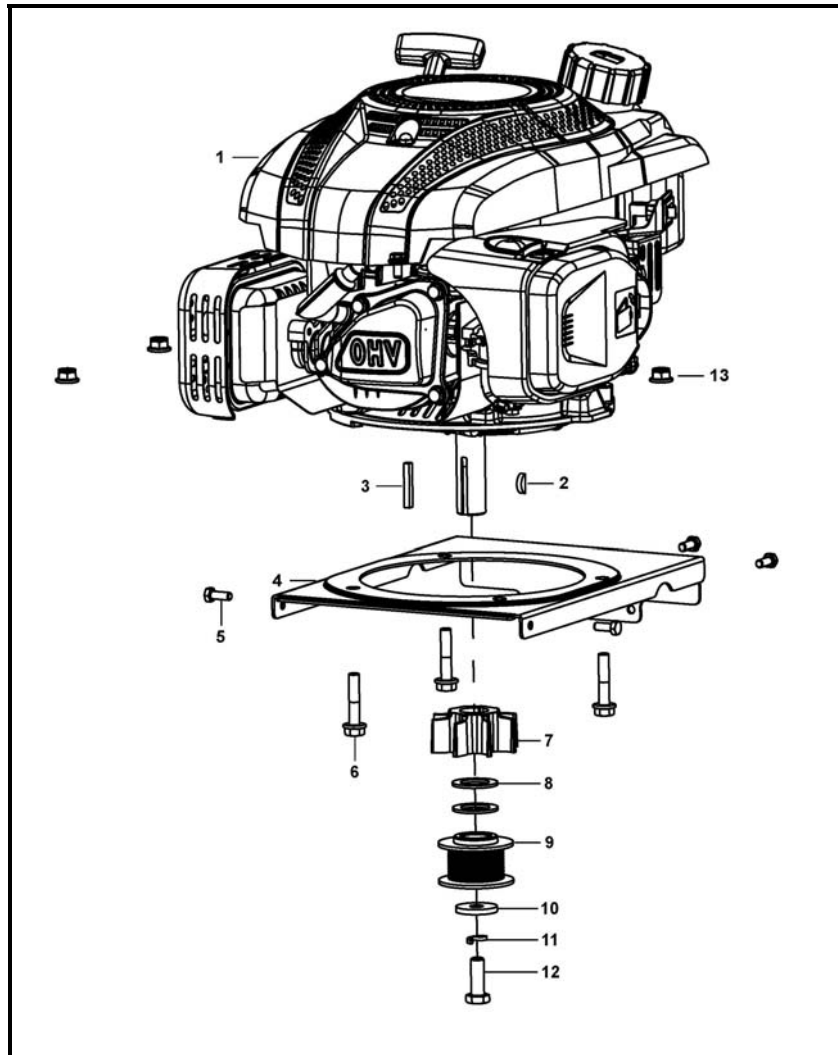
REF. NO.	DESCRIPTION	PART NO.	QTY
1	Engine-Top Level Assembly	See Page 4	1
2	Handle Assembly for PFTT142	See Page 5	1
3	Swing Plate Assembly for PFTT142	See Page 7	1
4	Base Assembly	See Page 9	1
5	Tines and Transmission Assembly for PFTT142	See Page 10	1
6	Inspection Plates	See Page 12	1

# Top Level Assembly – For PFTT142.1



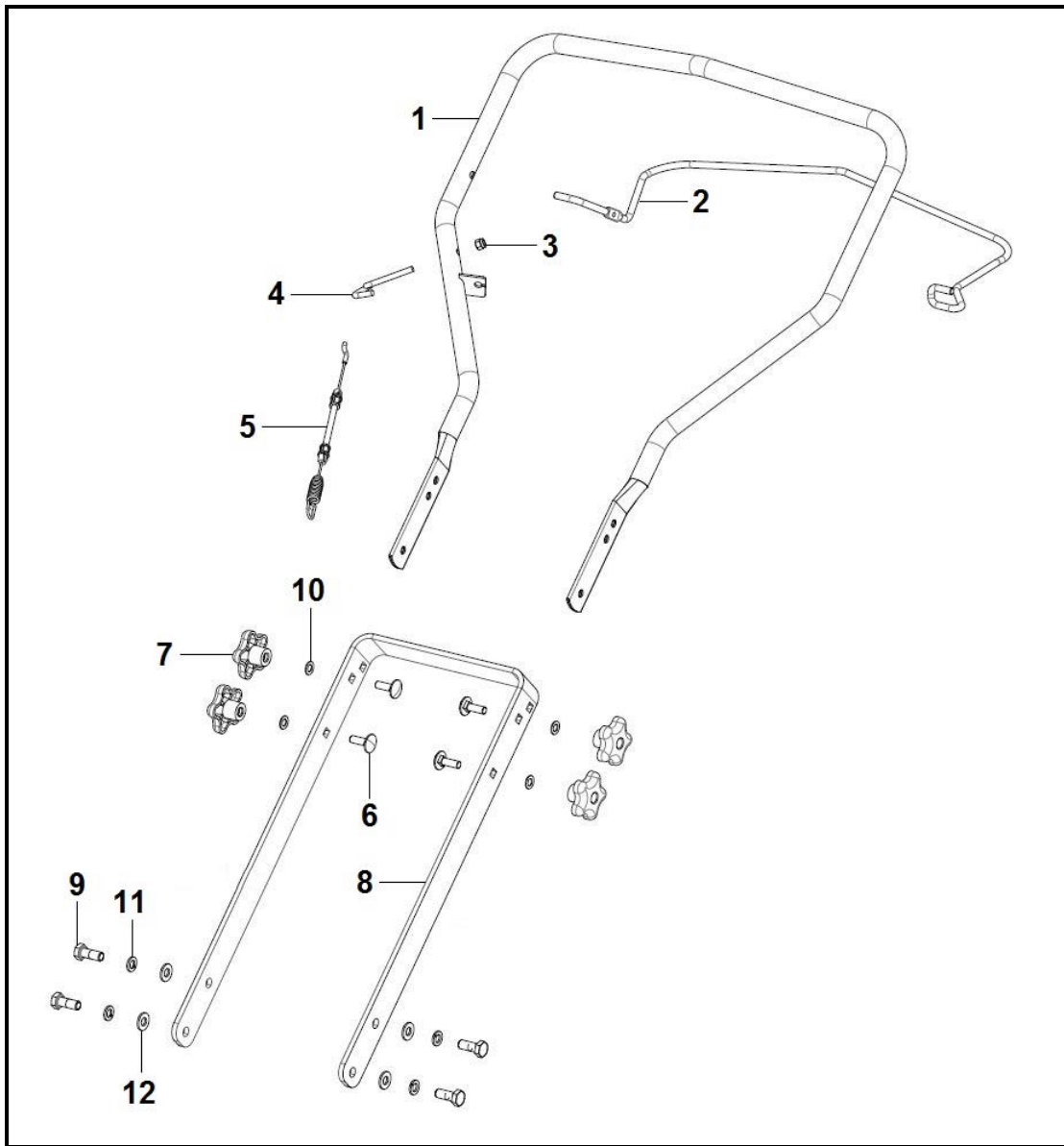
REF. NO.	DESCRIPTION	PART NO.	QTY
1	Engine-Top Level Assembly	See Page 4	1
2	Handle Assembly for PFTT142.1	See Page 6	1
3	Swing Plate Assembly for PFTT142.1	See Page 8	1
4	Base Assembly	See Page 9	1
5	Tines and Transmission Assembly for PFTT142.1	See Page 11	1
6	Inspection Plates	See Page 12	1

# Engine – Top Level Assembly



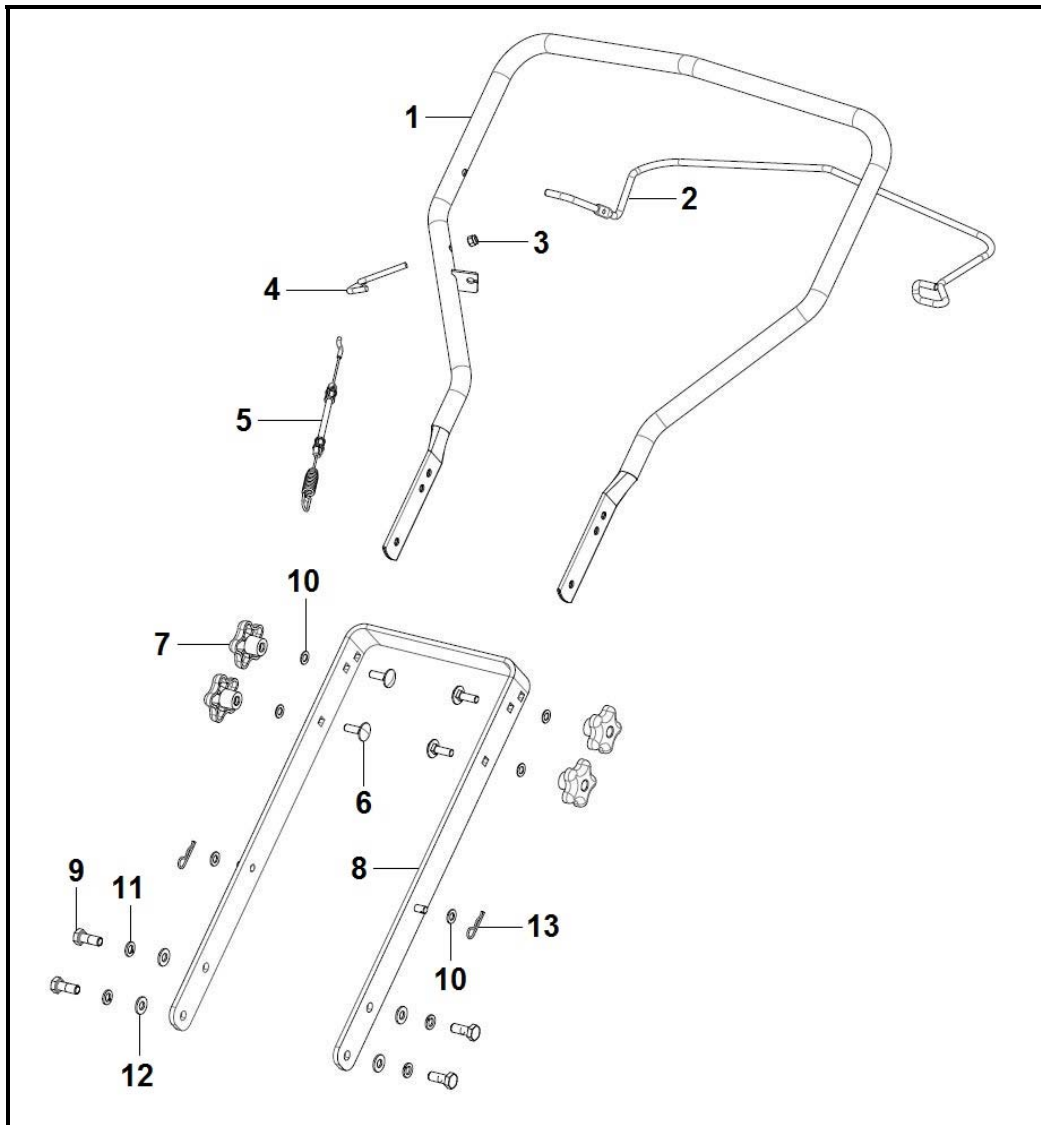
REF. NO.	DESCRIPTION	PART NO.	QTY
1	Engine, RV150 EPA3	A202701	1
2	Key, 4 x 6.5 x 16, Woodruff	A200663	1
3	Key, 4.75 x 5 x 35, Engine	A200715	1
4	Plate, Engine, Powermate Orange	A203379	1
5	Screw, M6 x 1.0 x 16, Hex Head, Yellow Zinc, Grade 8.8	<i>Reference Only</i>	4
6	Screw, M8 x 1.25 x 40, HFH, Yellow Zinc, Grade 8.8	<i>Reference Only</i>	3
7	Fan, Pulley	A200714	1
8	Flat Washer, 22.2 x 35 x 1.5	A203380	2
9	Pulley	A203381	1
10	Flat Washer, 10 x 32 x 4, Yellow Zinc	A200717	1
11	Lock Washer, M10, Yellow Zinc	A200531	1
12	Screw, 3/8-24 x 1.5", Hex Head, Yellow Zinc	A203417	1
13	Nut, M8 x 1.25, Hex Flange, Yellow Zinc	<i>Reference Only</i>	3

# Handle Assembly – For PFTT142



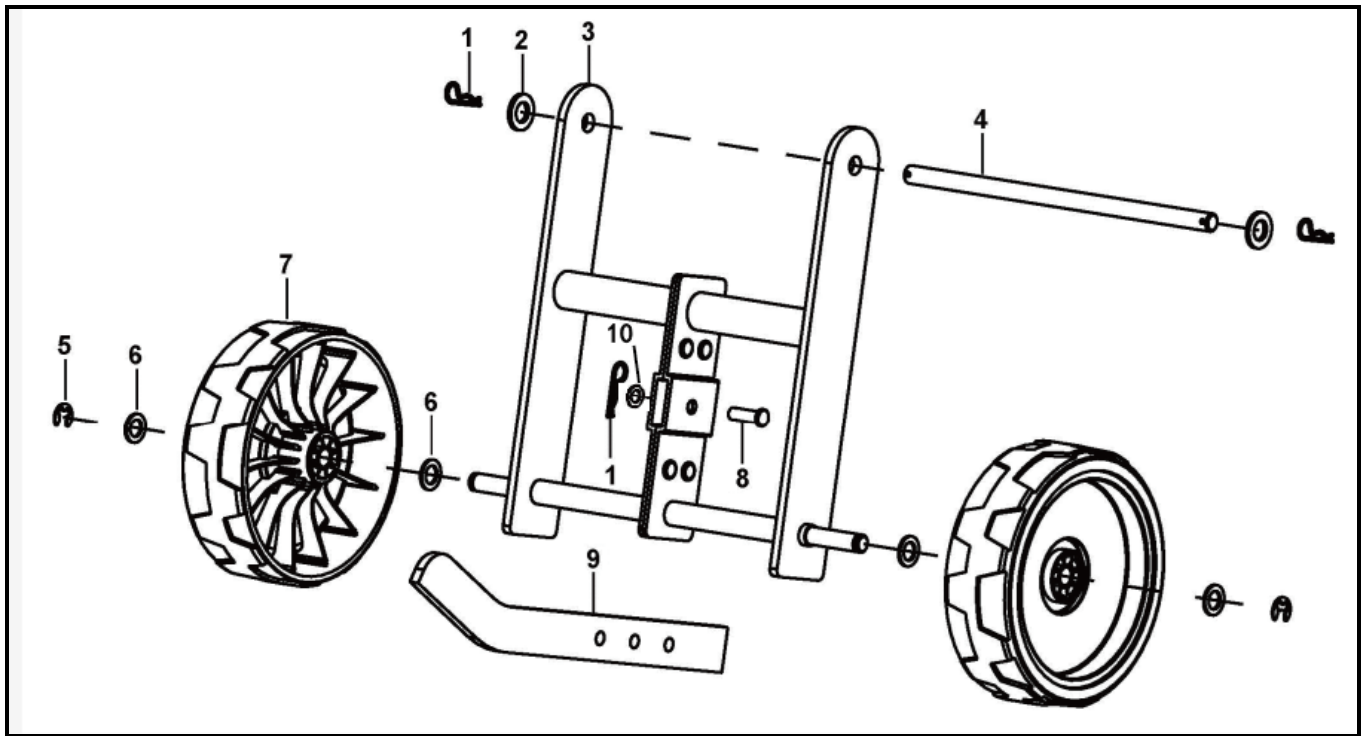
REF. NO.	DESCRIPTION	PART NO.	QTY
1	Handle, Upper	A202952	1
2	Bail, Engagement	A202953	1
3	Nut, M6 x 1.0, Hex, Black Zinc	Reference Only	1
4	Guide, Rope	A203153	1
5	Cable, Clutch	A203438	1
6	Screw, M8 x 1.25 x 25, Carriage, Yellow Zinc	Reference Only	4
7	Knob, Handle	A200486	4
8	Handle, Lower	A203382	1
9	Screw, M10 x 1.5 x 25, Hex, Yellow Zinc, Grade 8.8	Reference Only	4
10	Flat Washer, M8, Yellow Zinc	Reference Only	4
11	Lock Washer, M10, Yellow Zinc	Reference Only	4
12	Flat Washer, M10, Yellow Zinc	Reference Only	4

# Handle Assembly – For PFTT142.1



REF. NO.	DESCRIPTION	PART NO.	QTY
1	Handle, Upper	A202952	1
2	Bail, Engagement	A202953	1
3	Nut, M6 x 1.0, Hex, Black Zinc	<i>Reference Only</i>	1
4	Guide, Rope	A203153	1
5	Cable, Clutch	A203438	1
6	Screw, M8 x 1.25 x 25, Carriage, Yellow Zinc	<i>Reference Only</i>	4
7	Knob, Handle	A200486	4
8	Handle, Lower	A203818	1
9	Screw, M10 x 1.5 x 25, Hex, Yellow Zinc, Grade 8.8	<i>Reference Only</i>	4
10	Flat Washer, M8, Yellow Zinc	<i>Reference Only</i>	6
11	Lock Washer, M10, Yellow Zinc	<i>Reference Only</i>	4
12	Flat Washer, M10, Yellow Zinc	<i>Reference Only</i>	4
13	Pin, Cotter, Ø2 x 37	A200671	2

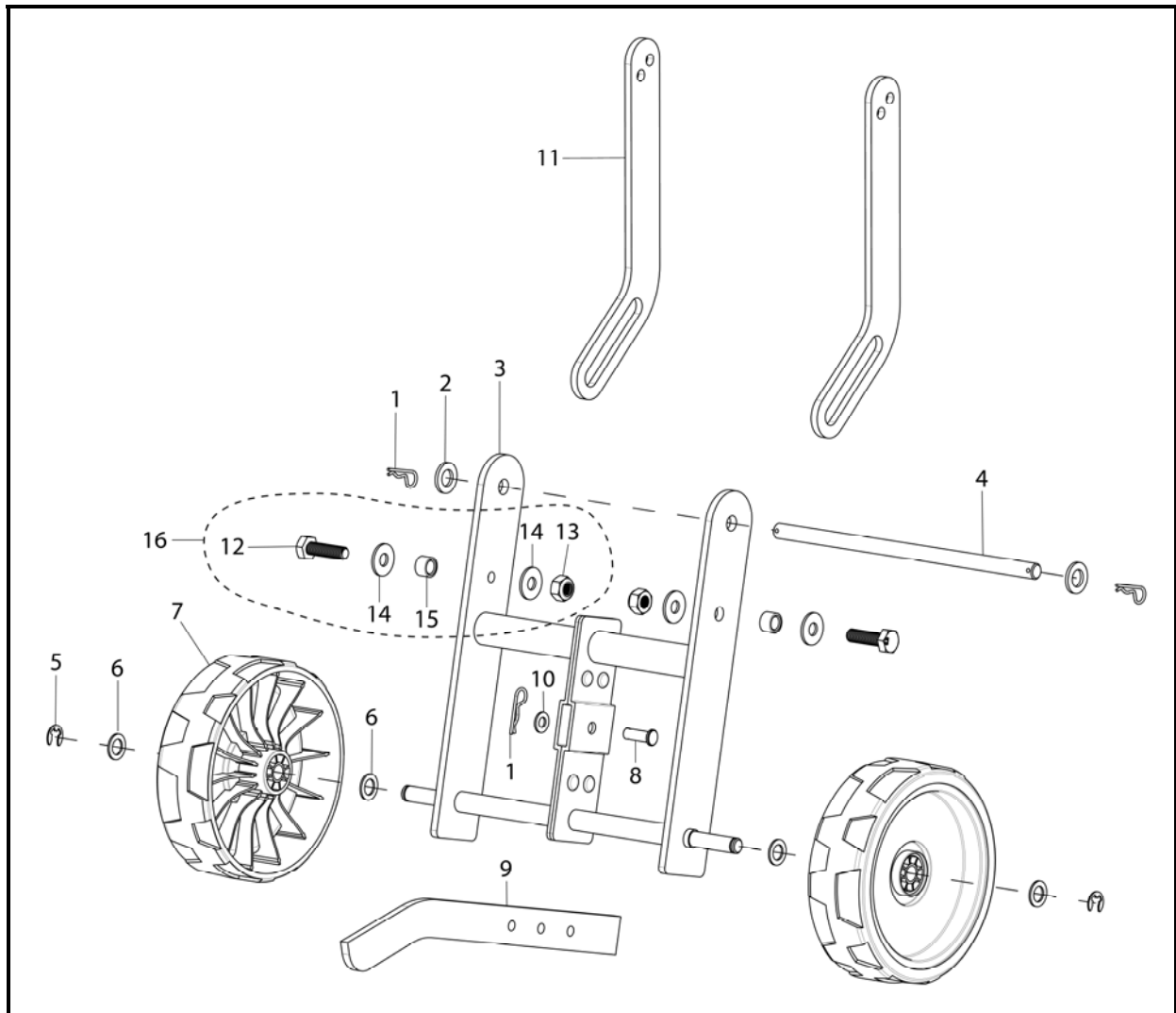
# Swing Plate Assembly - For PFTT142



REF. NO.	DESCRIPTION	PART NO.	QTY
1	Pin, Cotter, Ø2 x 37	A200671	3
2	Flat Washer, M12, Yellow Zinc	A200689	2
3	Assembly, Swing Plate	A203383	1
4	Axle, Swing Plate	A200691	1
5	C Clip, Black Oxide	A203404	2
6	Flat Washer, 12.5 x 21 x 1.5, Yellow Zinc	A203405	4
7	Wheel, 7"	A203384	2
8	Pin, 8 x 20, Yellow Zinc	A203406	1
9	Bar, Drag, Three Hole	A200378	1
10	Flat Washer, M8, Yellow Zinc	Reference Only	1

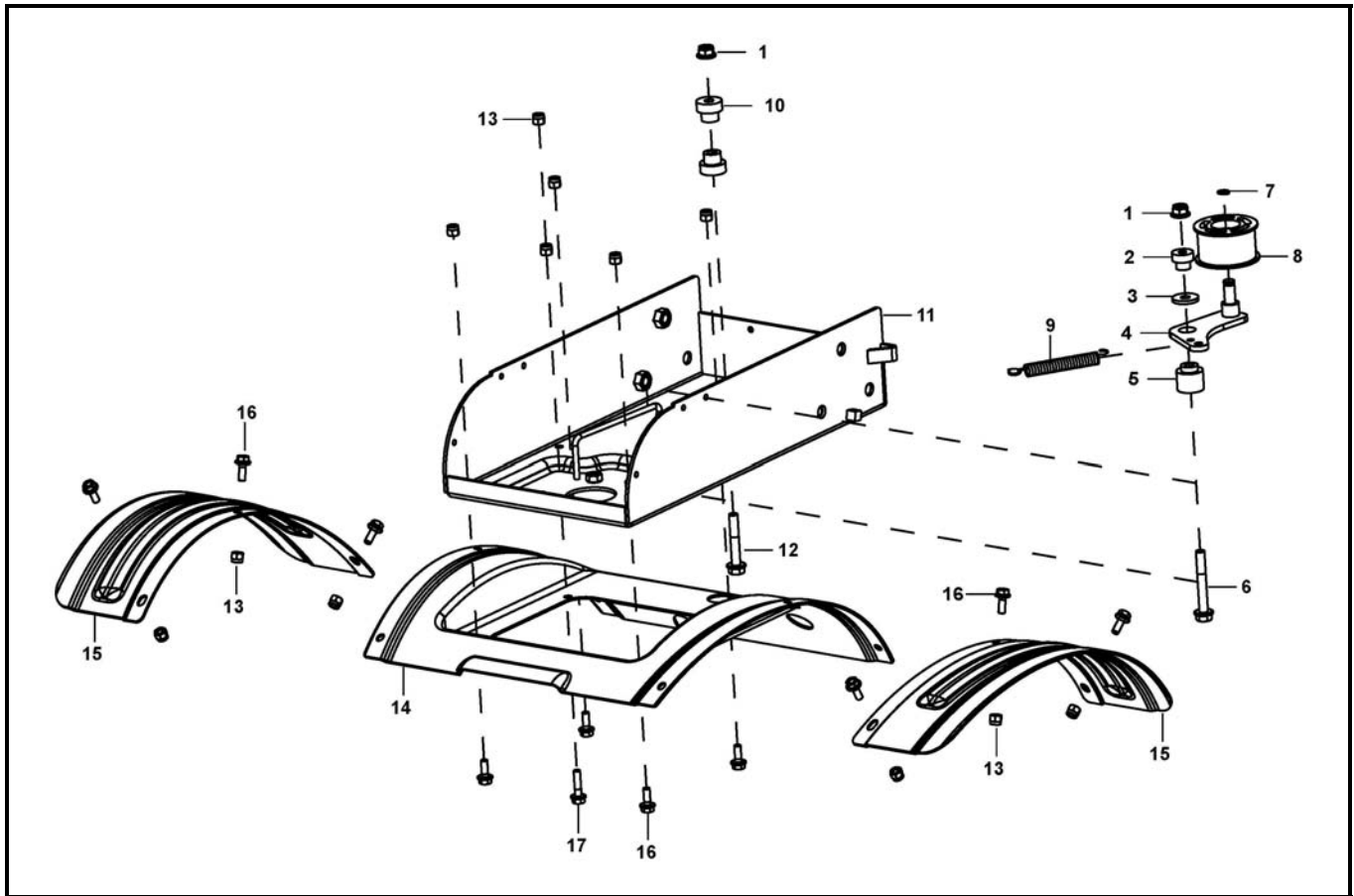


# Swing Plate Assembly - For PFTT142.1



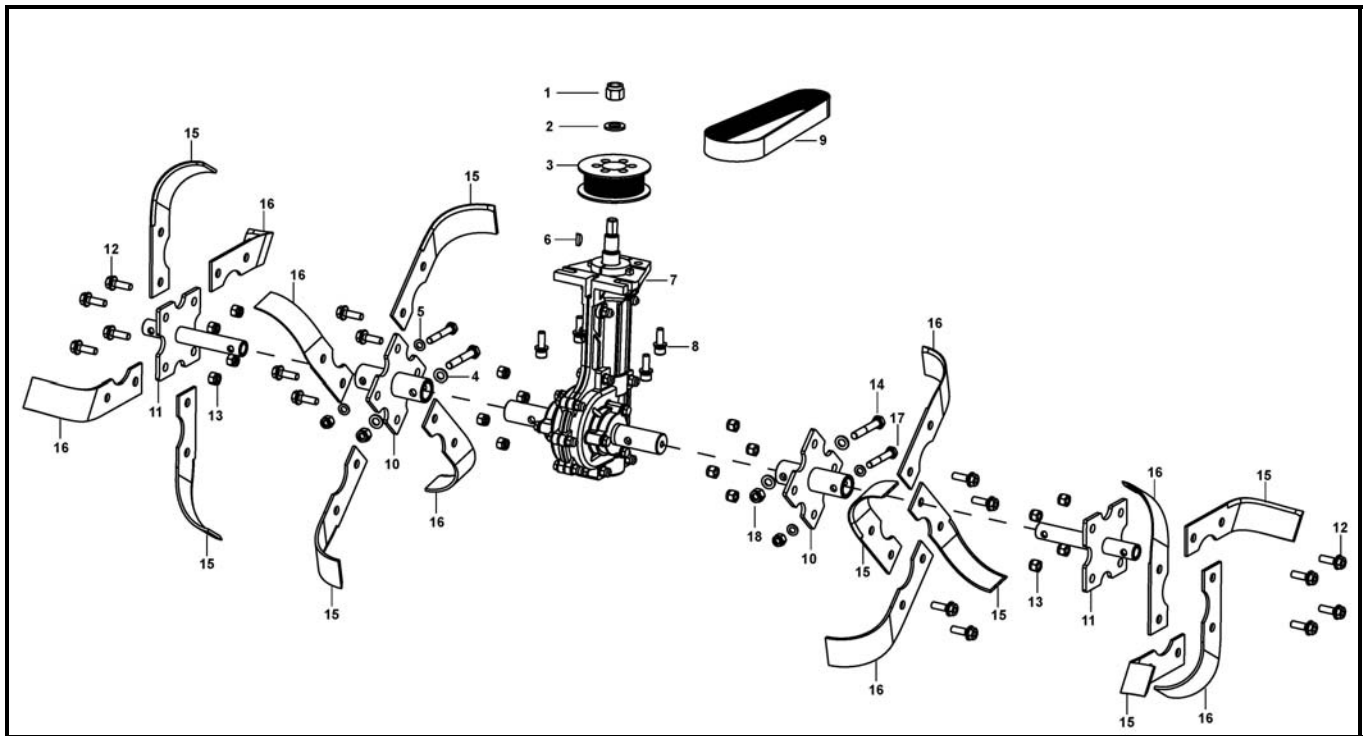
REF. NO.	DESCRIPTION	PART NO.	QTY
1	Pin, Cotter, Ø2 x 37	A200671	3
2	Flat Washer, M12, Yellow Zinc	A200689	2
3	Assembly, Swing Plate	A203819	1
4	Axle, Swing Plate	A200691	1
5	C Clip, Black Oxide	A203404	2
6	Flat Washer, 12.5 x 21 x 1.5, Yellow Zinc	A203405	4
7	Wheel, 7"	A203384	2
8	Pin, 8 x 20, Yellow Zinc	A203406	1
9	Bar, Drag, Three Hole	A200378	1
10	Flat Washer, M8, Yellow Zinc	Reference Only	1
11	Bracket, Adjustment	A203763	2
12	Screw, M10 x 1.5 x 30, Shoulder	Reference Only	2
13	Lock Nut, M10 x 1.5, Hex with Nylon Insert	Reference Only	2
14	Flat Washer, M10, Yellow Zinc	Reference Only	4
15	Bushing	Reference Only	2
16	Kit, Screw Assembly (Includes Items #12-15)(1 set)	A203817	2

# Base Assembly



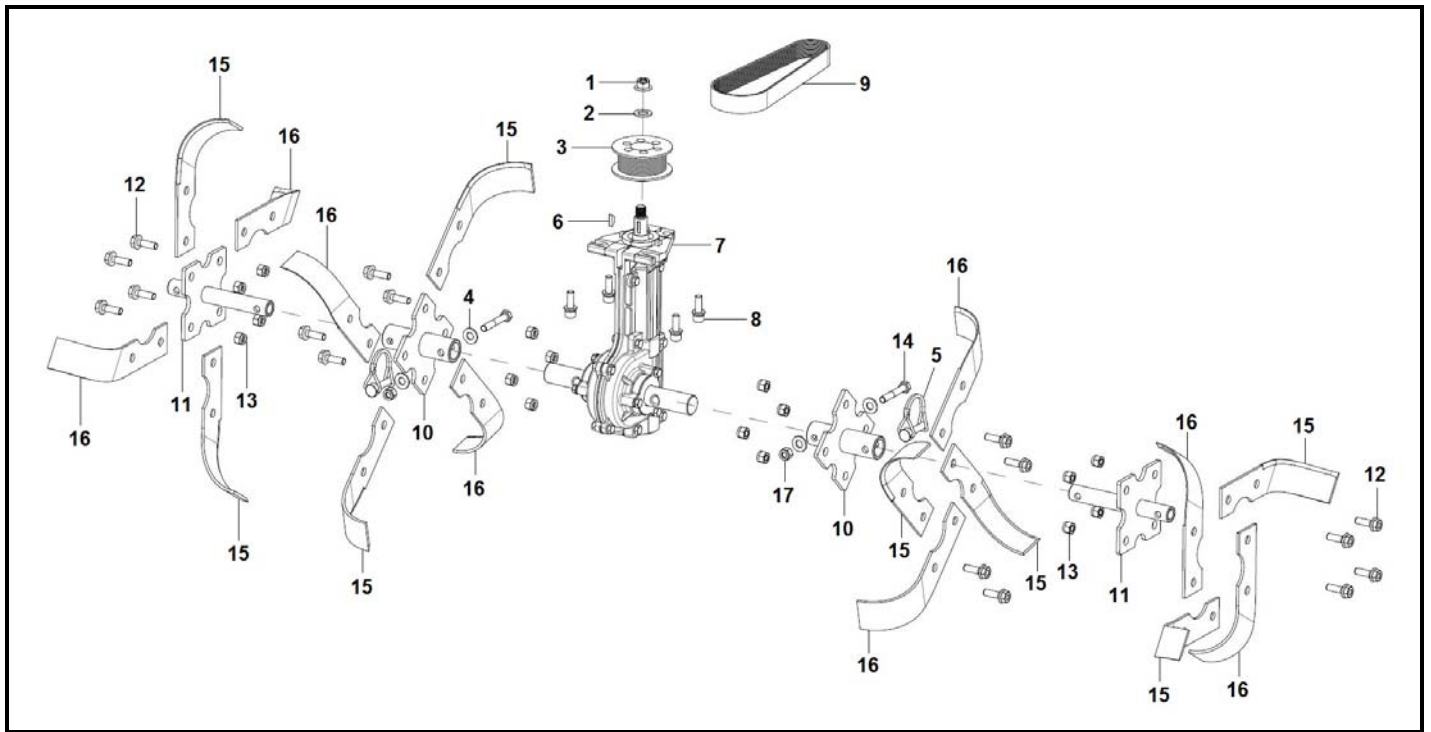
REF. NO.	DESCRIPTION	PART NO.	QTY
1	Lock Nut, M8 x 1.25, Yellow Zinc	A100450	2
2	Bushing, Belt	A203418	1
3	Flat Washer, M8 x 22 x 2, Yellow Zinc	A200513	1
4	Arm, Tensioner	A203439	1
5	Bushing, Tensioner Arm	A200677	1
6	Screw, M8 x 1.25 x 65, HFH, Yellow Zinc, Grade 8.8	<i>Reference Only</i>	1
7	Circlip, 10, Black Oxide	A203408	1
8	Tensioner	A200681	1
9	Spring, Clutch	A200676	1
10	Bushing, Belt	A200658	2
11	Frame, Powermate Orange	A203385	1
12	Screw, M8 x 1.25 x 55, HFH, Yellow Zinc, Grade 8.8	<i>Reference Only</i>	1
13	Lock Nut, M6 x 1.0, Black Zinc	A200497	14
14	Shield, Tine, Powermate Orange	A200381	1
15	Shield, Extension, Powermate Orange	A200383	2
16	Screw, M6 x 1.0 x 16, HFH, Yellow Zinc, Grade 8.8	A200654	10
17	Screw, M6 x 1.0 x 25, HFH, Yellow Zinc, Grade 8.8	<i>Reference Only</i>	1

# Tine and Transmission Assembly – For PFTT142



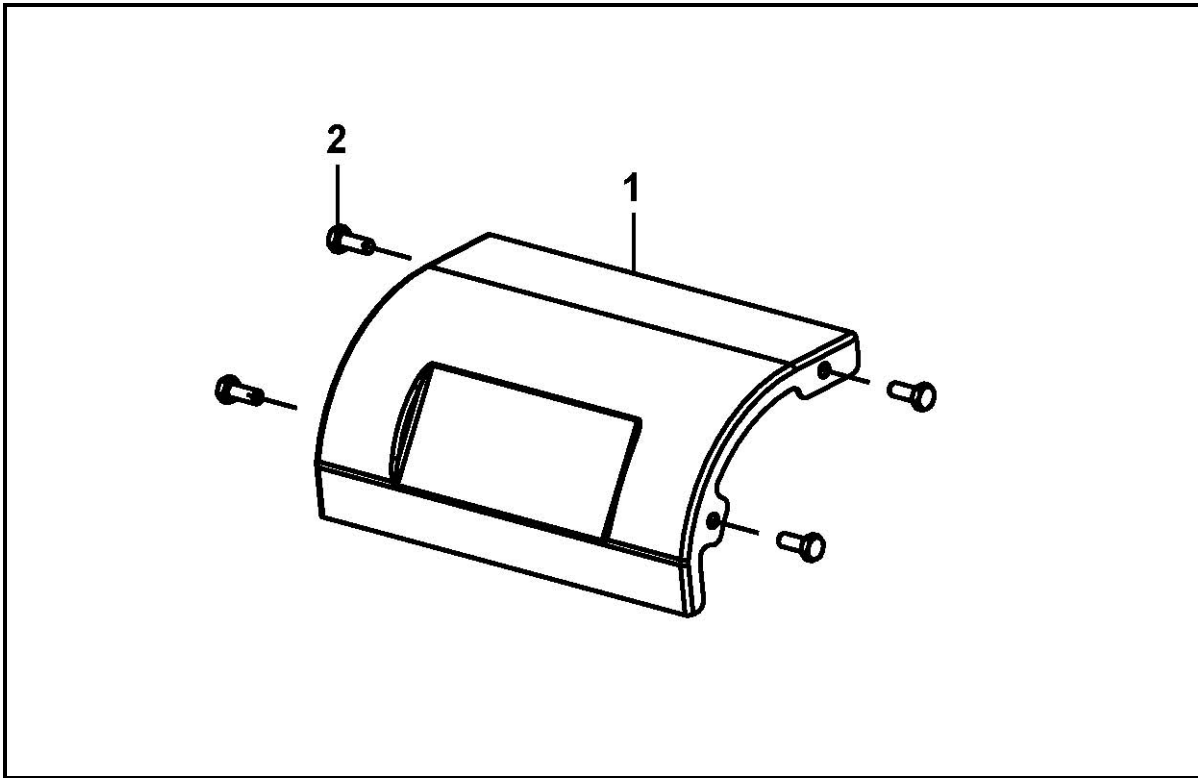
REF. NO.	DESCRIPTION	PART NO.	QTY
1	Lock Nut, M12 x 1.75, Yellow Zinc	<i>Reference Only</i>	1
2	Flat Washer, M12, Yellow Zinc	<i>Reference Only</i>	1
3	Pulley	A203386	1
4	Flat Washer, M10, Black Zinc	<i>Reference Only</i>	4
5	Flat Washer, M8, Black Zinc	<i>Reference Only</i>	4
6	Key, 4 x 6.5 x 16, Woodruff	A200663	1
7	Transmission	A200829	1
8	Screw, M8 x 1.25 x 25, HFH, Yellow Zinc, Grade 8.8	<i>Reference Only</i>	4
9	Belt, Drive	A203444	1
10	Hub, Inside	A203389	2
11	Hub, Outside	A203390	2
12	Screw, M8 x 1.25 x 25, HFH, Black Zinc, Grade 8.8	<i>Reference Only</i>	16
13	Nut, M8 x 1.25, Hex, Black Zinc, Grade 8.8	<i>Reference Only</i>	18
14	Screw, M10 x 1.5 x 50, HFH, Black Zinc, Grade 8.8	<i>Reference Only</i>	2
15	Tine, Left	A203391	8
16	Tine, Right	A203392	8
17	Screw, M8 x 1.25 x 50, HFH, Black Zinc, Grade 8.8	<i>Reference Only</i>	2
18	Nut, M10 x 1.5, Hex, Black Zinc	<i>Reference Only</i>	2

# Tine and Transmission Assembly – For PFTT142.1



REF. NO.	DESCRIPTION	PART NO.	QTY
1	Lock Nut, M12 x 1.75, Yellow Zinc	<i>Reference Only</i>	1
2	Flat Washer, M12, Yellow Zinc	<i>Reference Only</i>	1
3	Pulley	A203386	1
4	Flat Washer, M10, Black Zinc	<i>Reference Only</i>	4
5	Pin, Linch, Ø8	A203816	2
6	Key, 4 x 6.5 x 16, Woodruff	A200663	1
7	Transmission	A203821	1
8	Screw, M8 x 1.25 x 25, HFH, Yellow Zinc, Grade 8.8	<i>Reference Only</i>	4
9	Belt, Drive	A203444	1
10	Hub, Inside	A203822	2
11	Hub, Outside	A203390	2
12	Screw, M8 x 1.25 x 25, HFH, Black Zinc, Grade 8.8	<i>Reference Only</i>	16
13	Nut, M8 x 1.25, Hex, Black Zinc, Grade 8.8	<i>Reference Only</i>	16
14	Screw, M10 x 1.5 x 50, HFH, Black Zinc, Grade 8.8	<i>Reference Only</i>	2
15	Tine, Left	A203391	8
16	Tine, Right	A203392	8
17	Nut, M10 x 1.5, Hex, Black Zinc	<i>Reference Only</i>	2

# Inspection Plates



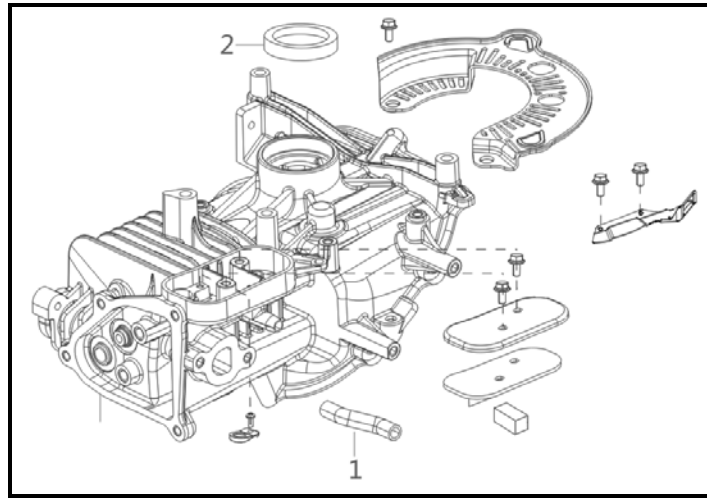
REF. NO.	DESCRIPTION	PART NO.	QTY
1	Plate, Inspection, Powermate Orange	A203393	1
2	Screw, M6 x 1.0 x 16, Hex Head, Yellow Zinc, Grade 8.8	<i>Reference Only</i>	4

# Unit Decals



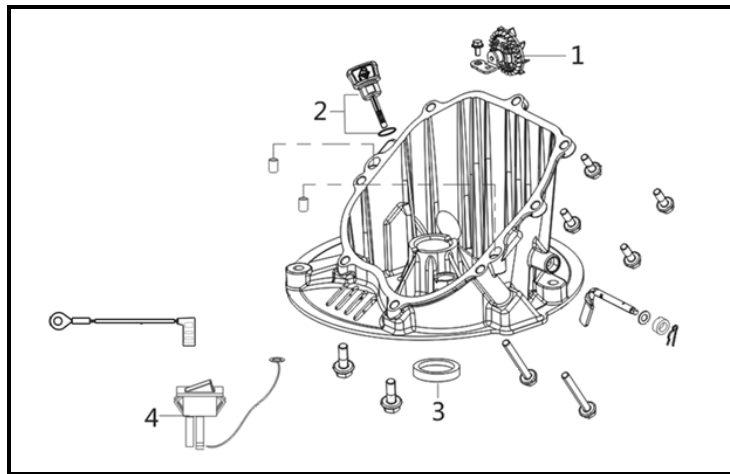
REF. NO.	DESCRIPTION	PART NO.	QTY
1	Decal Sheet, Unit, PFTT142	A203421	1

## Crankcase, RV150



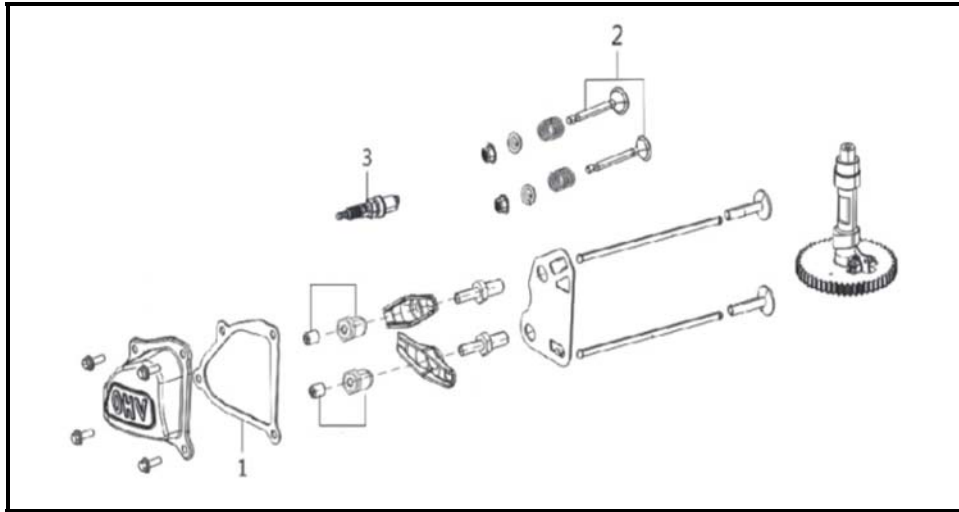
REF. NO.	DESCRIPTION	PART NO.	QTY
1	Tube, Breather	A203217	1
2	Seal, Oil, Upper	A203419	1

## Crankcase Cover, RV150



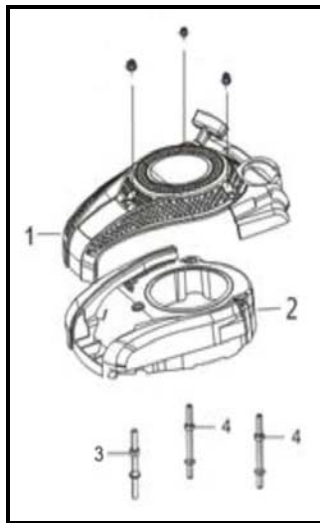
REF. NO.	DESCRIPTION	PART NO.	QTY
1	Assembly, Governor Gear	A203202	1
2	Assembly, Oil Dipstick	A203210	1
3	Seal, Oil, Lower	A201599	1
4	Switch, Engine, With Ground Wire	A203433	1

## Cover, Cylinder Head, RV150



REF. NO.	DESCRIPTION	PART NO.	QTY
1	Gasket, Valve Cover	A203209	1
2	Valve, Intake and Exhaust	A203211	1
3	Plug, Spark, Torch K7RTC	A203224	1

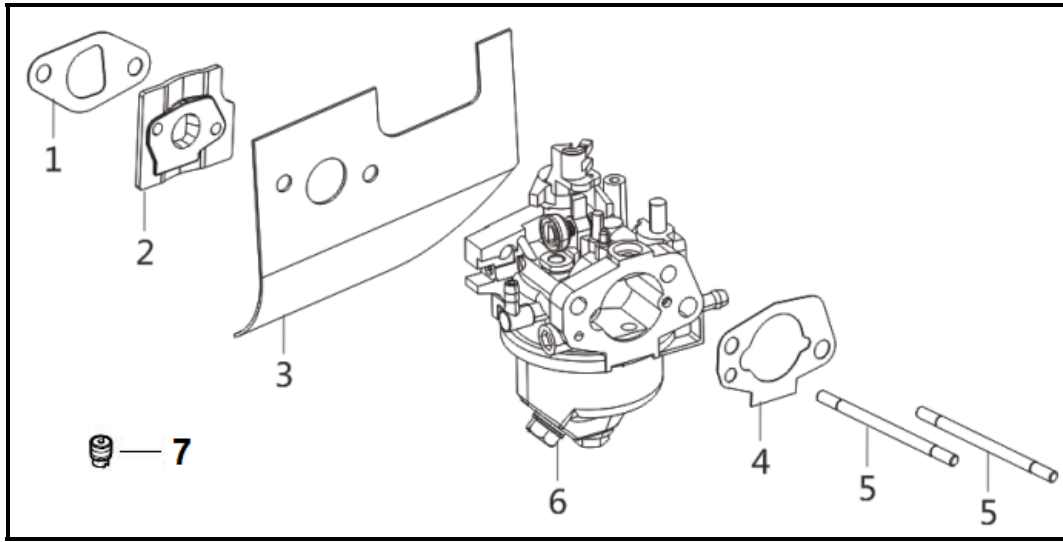
## Engine Shroud and Recoil, RV150



REF. NO.	DESCRIPTION	PART NO.	QTY
1	Assembly, Recoil with Top Shroud	A203213	1
2	Shroud, Lower	A203214	1
3	Stud, Shroud	A203229	1
4	Stud, Shroud	A203230	2

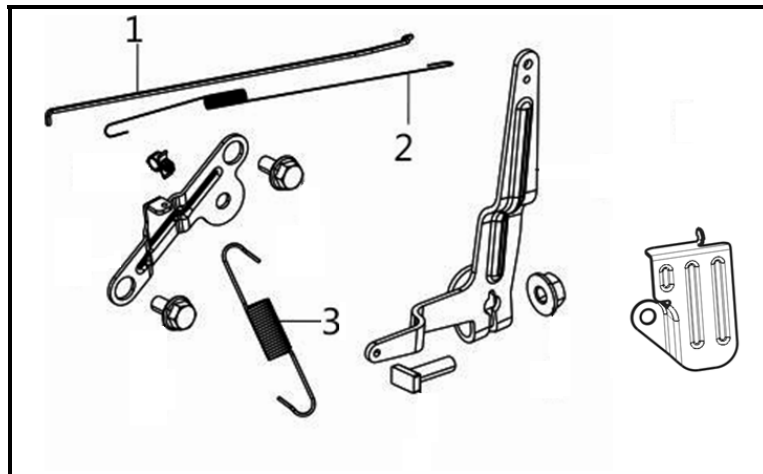


# Carburetor, RV150



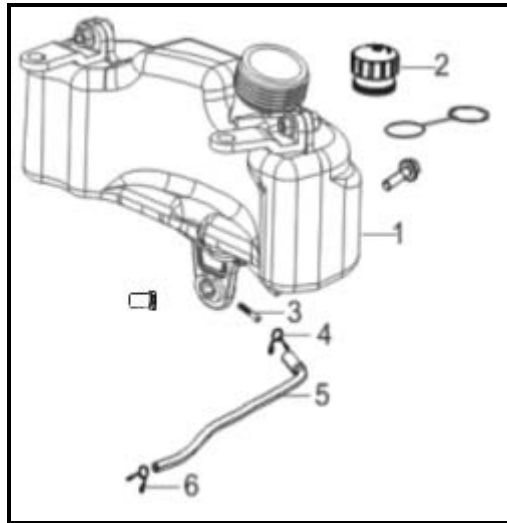
REF. NO.	DESCRIPTION	PART NO.	QTY
1-5	Kit, Carburetor	A203204	1
6	Assembly, Carburetor	A203434	1
7A	Kit, High Altitude Carburetor Jet (3000-6000 ft)	A203878	1
7B	Kit, High Altitude Carburetor Jet (6000-8000 ft)	A203879	1

# Throttle and Governor Control Assembly, RV150



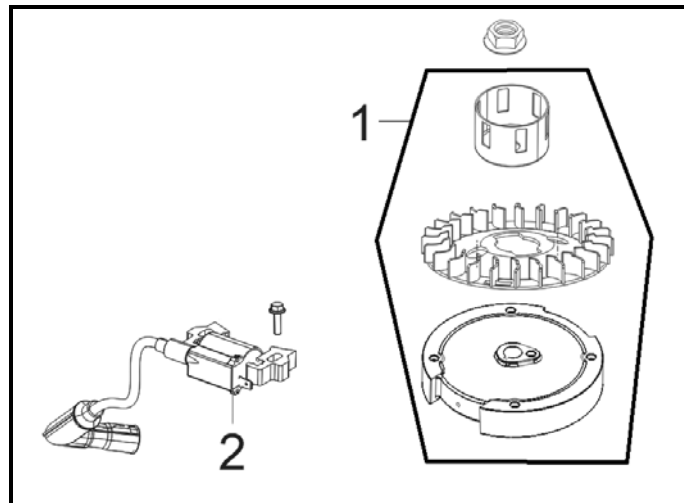
REF. NO.	DESCRIPTION	PART NO.	QTY
1	Rod, Governor	A203206	1
2	Spring, Throttle Return	A203207	1
3	Spring, Governor	A203205	1

## Fuel Tank, RV150



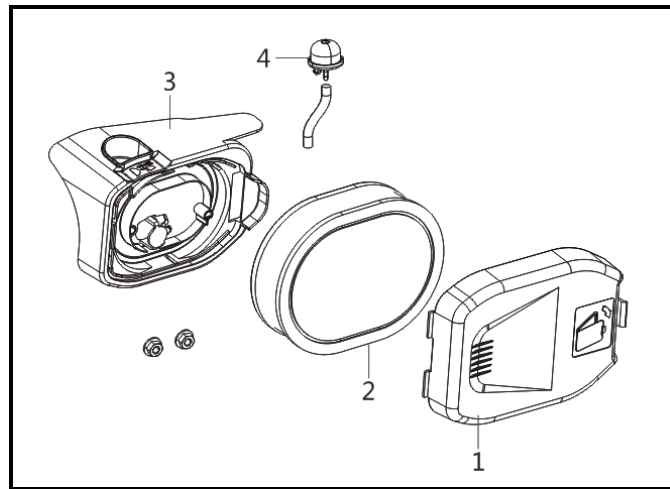
REF. NO.	DESCRIPTION	PART NO.	QTY
1	Tank, Fuel	A203199	1
2	Cap, Fuel	A202482	1
3-6	Assembly, Fuel Line with Filter and Clamps	A203200	1

## Flywheel / Ignition, RV150



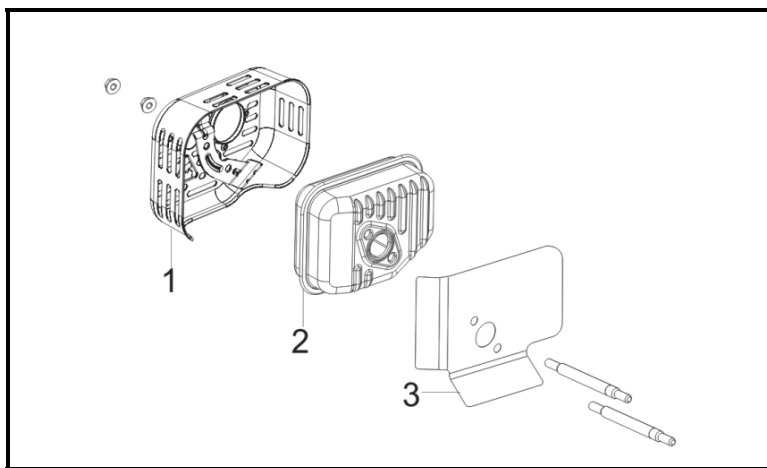
REF. NO.	DESCRIPTION	PART NO.	QTY
1	Assembly, Flywheel, Cast Iron	A203435	1
2	Module, Ignition Coil	A203223	1

## Air Filter, RV150



REF. NO.	DESCRIPTION	PART NO.	QTY
1	Cover, Air Filter	A203219	1
2	Element, Air Filter	A203222	1
3	Assembly, Air Filter Housing	A203218	1
4	Assembly, Primer Bulb	A201683	1

## Muffler, RV150



REF. NO.	DESCRIPTION	PART NO.	QTY
1	Shield, Muffler	A203436	1
2	Muffler	A203197	1
3	Gasket, Muffler	A203216	1

# Engine Decals, RV150



REF. NO.	DESCRIPTION	PART NO.	QTY
1	Decal Sheet, Engine, PFTT142	A203437	1