



ILLUSTRATED PARTS BOOK

173cc Wheeled Adjustable Field Trimmer

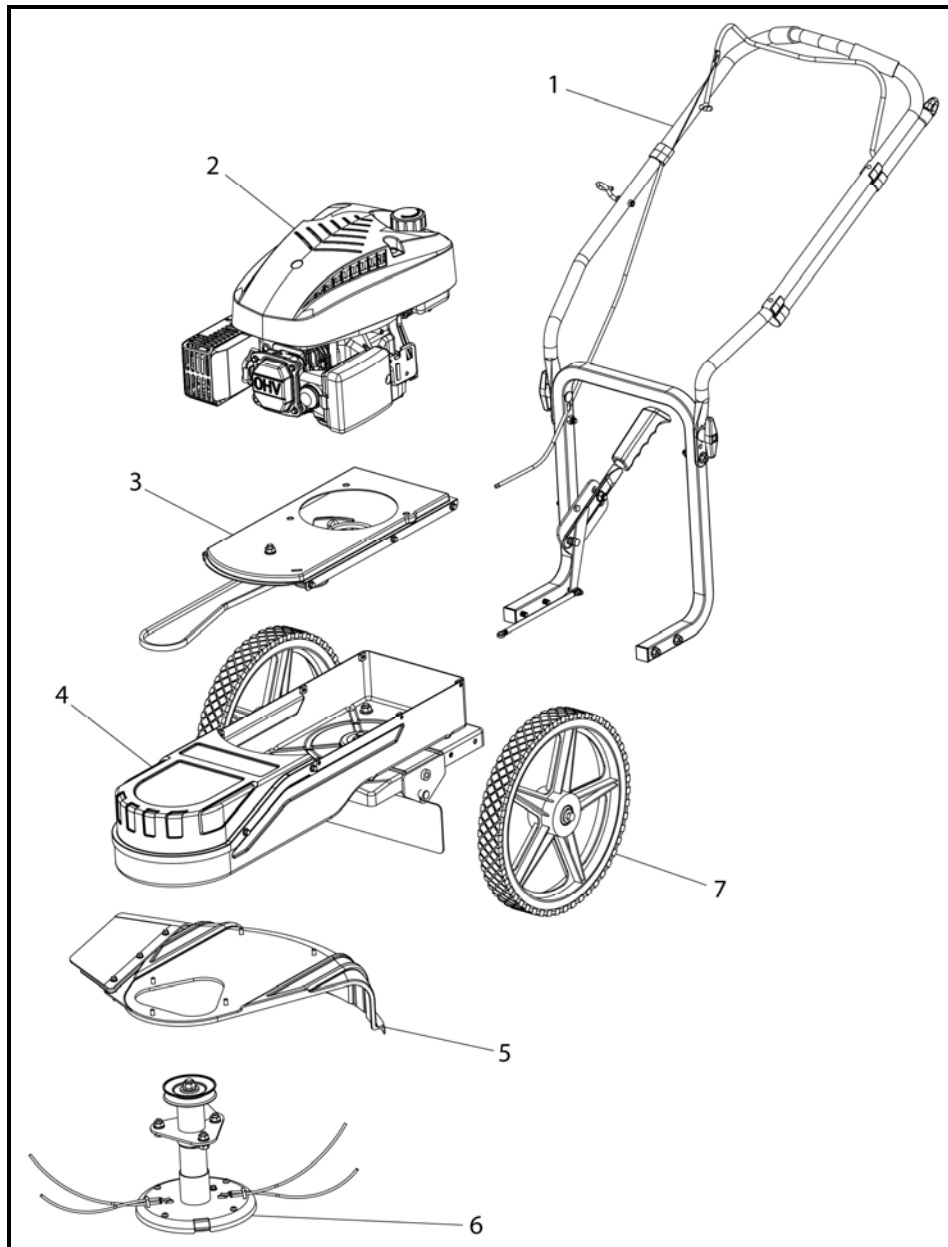
PWFTA17322



# Table of Contents

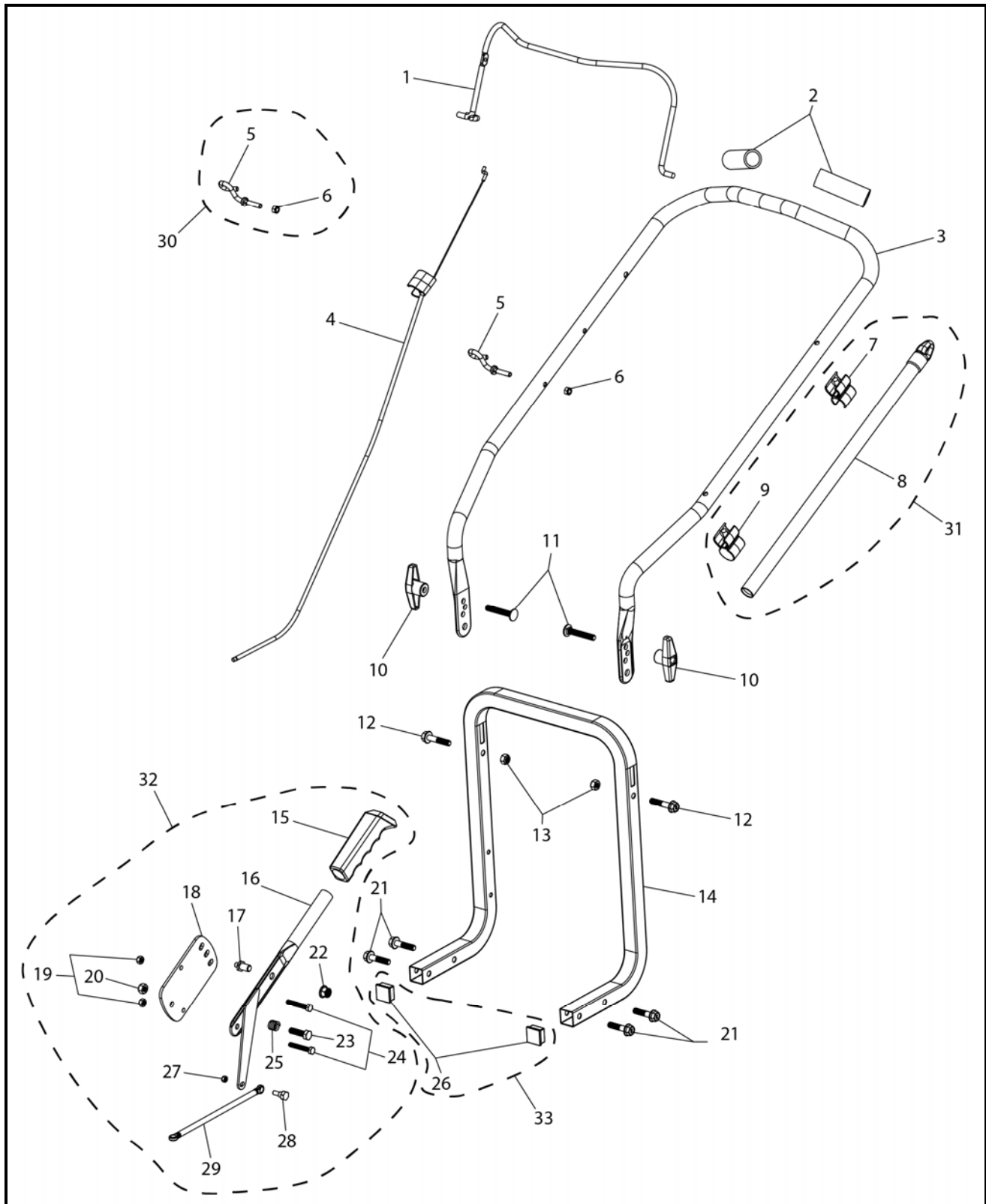
Top Level Assembly.....	2
Handle Assembly.....	3-4
Engine Assembly.....	5
Drive System.....	6
Frame Assembly.....	7-8
Shroud Assembly.....	9
Cutting Head Assembly.....	10-11
Wheel Assembly.....	12
 <u>173cc Engine EPA3 (A203872)</u>	
Cylinder Head.....	13
Crankcase Assembly.....	14-15
Camshaft.....	16
Engine Shroud and Recoil Starter.....	17-18
Carburetor.....	19
Flywheel / Ignition.....	20
Air Filter.....	21
Braking Assembly.....	22
Governor Assembly.....	23-24
Muffler.....	25
Fuel Tank.....	26-27
Unit Decals.....	28

# Top Level Assembly



REF. NO.	DESCRIPTION	PART NO.	QTY
1	Handle Assembly	See Pages 3-4	1
2	Engine Assembly	See Page 5	1
3	Drive System	See Page 6	1
4	Frame Assembly	See Pages 7-8	1
5	Shroud Assembly	See Page 9	1
6	Cutting Head Assembly	See Pages 10-11	1
7	Wheel Assembly	See Page 12	2
-	Engine Breakdown	See Pages 13-27	1
-	Decals	See Page 28	1

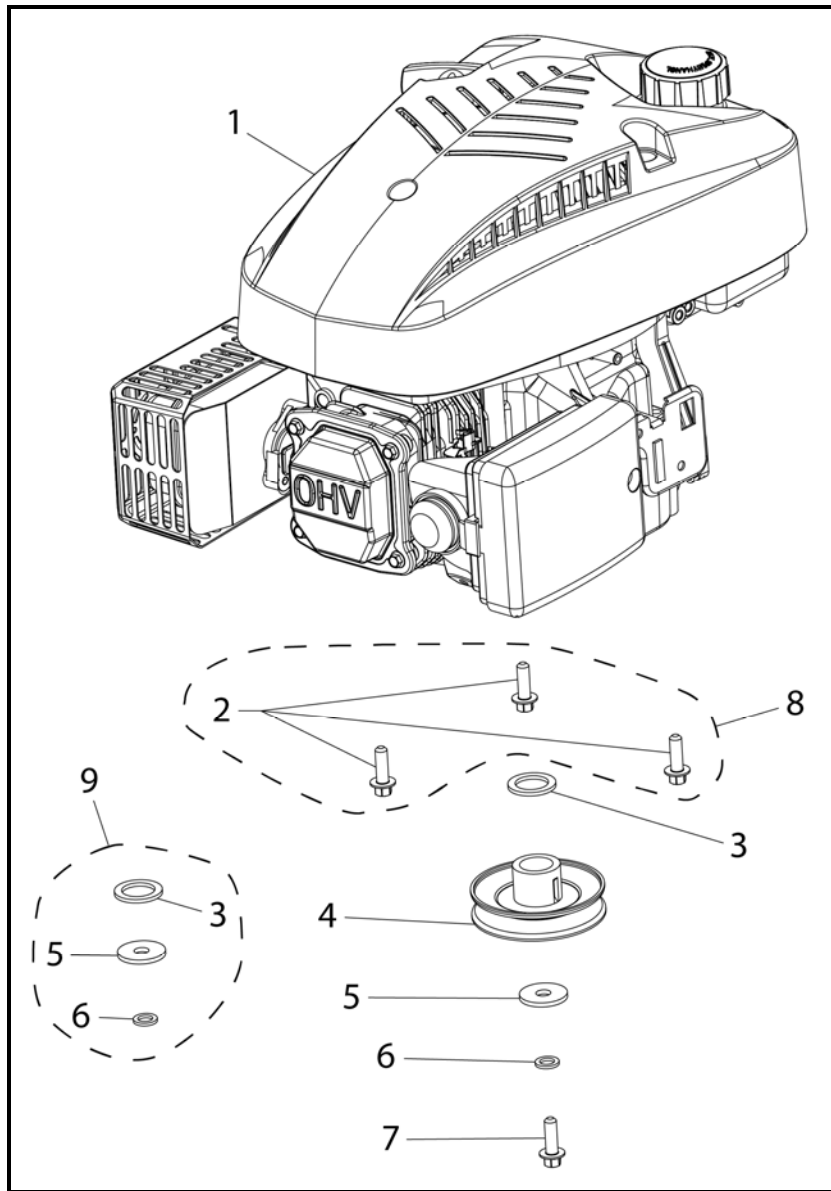
# Handle Assembly



## Handle Assembly (continued)

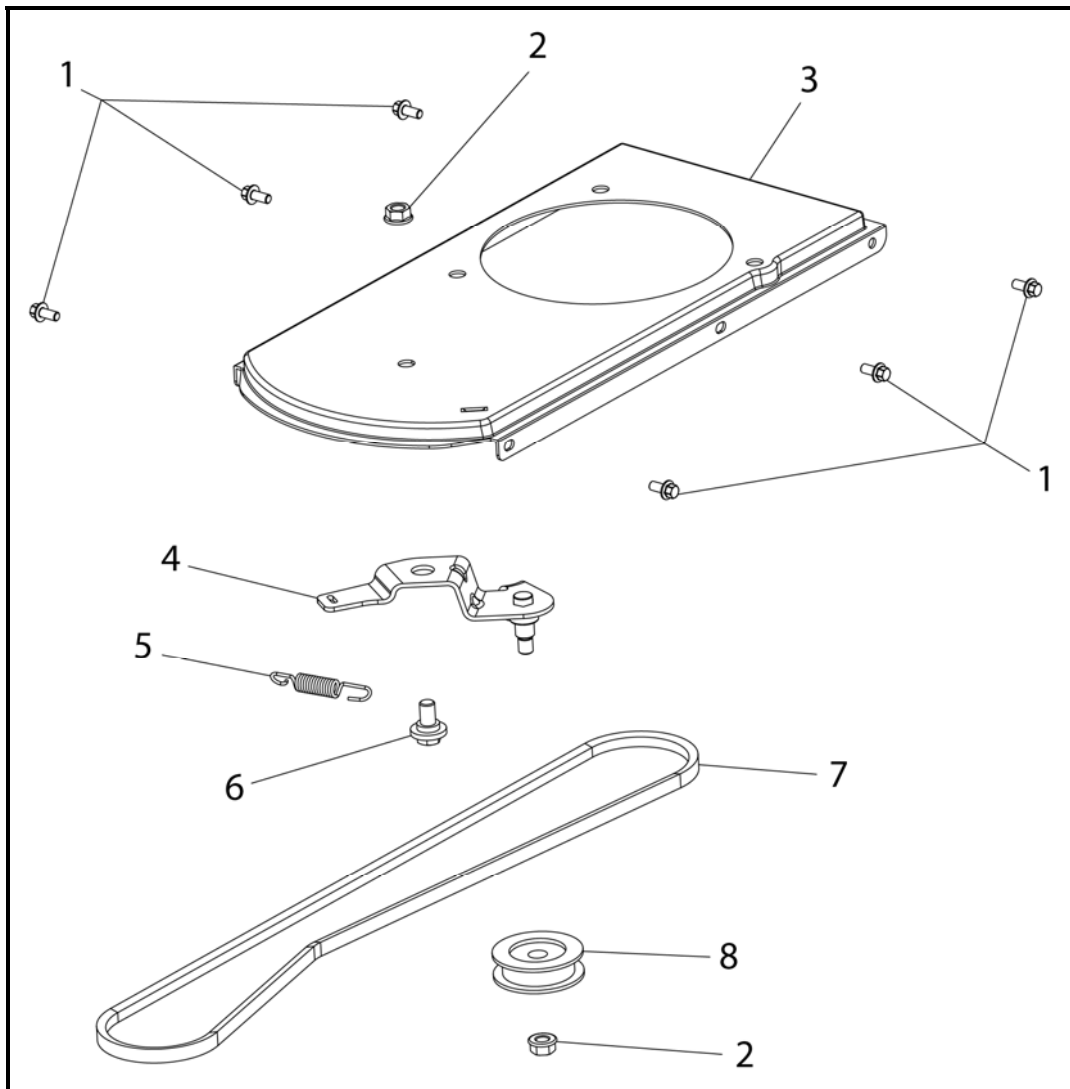
REF. NO.	DESCRIPTION	PART NO.	QTY
1	Bail, Engagement	A204173	1
2	Foam, Handle	A203772	2
3	Handle, Upper	A204174	1
4	Cable, Engagement	A204175	1
5	Guide, Rope	<i>Reference Only</i>	1
6	Lock Nut, ¼-20, Hex, Black Oxide, Grade 8	<i>Reference Only</i>	1
7	Attachment, Upper String Storage	<i>Reference Only</i>	1
8	Attachment, Lower String Storage	<i>Reference Only</i>	1
9	Tube, String Storage	<i>Reference Only</i>	1
10	Knob, Handle	A101125	2
11	Bolt, M8 x 1.25 x 50, Saddle, Zinc, Grade 8.8	A204201	2
12	Bolt, M8 x 1.25 x 40, HFH, Zinc, Grade 8.8	<i>Reference Only</i>	2
13	Lock Nut, M8 x 1.25, Hex, Zinc, Grade 8	<i>Reference Only</i>	2
14	Handle, Lower	A204176	1
15	Grip, Adjustment Handle	A204177	1
16	Handle, Adjustment	<i>Reference Only</i>	1
17	Stud, Indexing	A100530	1
18	Plate, Indexing	<i>Reference Only</i>	1
19	Lock Nut, M6 x 1.0, Hex, Zinc, Grade 8	<i>Reference Only</i>	2
20	Lock Nut, M8 x 1.25, Zinc, Grade 8	<i>Reference Only</i>	1
21	Screw, M8 x 1.25 x 35, HFH, Zinc, Grade 8.8	<i>Reference Only</i>	4
22	Lock Nut, M10 x 1.5, Hex Flange, Zinc, Grade 8	<i>Reference Only</i>	1
23	Bolt, M8 x 1.25 x 30, Hex Head, Zinc, Grade 8.8	<i>Reference Only</i>	1
24	Bolt, M6 x 1.0 x 40, Hex Head, Zinc, Grade 8.8	<i>Reference Only</i>	2
25	Spring, Compression	A100527	1
26	Plug, Square Tube	<i>Reference Only</i>	2
27	Lock Nut, M6 x 1.0, Hex, Zinc, Grade 8	<i>Reference Only</i>	1
28	Bolt, M6 x 1.0 x 18, Hex Head Shoulder, Zinc, Grade 8.8	A204202	1
29	Rod, Adjustment	<i>Reference Only</i>	1
30	Kit, Rope Guide (Include Items #5 & 6)	A204178	1
31	Kit, Spare String Storage (Includes Items #7-9)	A204179	1
32	Kit, Angle Adjustment (Includes Items #15-20, 22-25, 27-29)	A204180	1
33	Kit, Square Tube Plug (Includes Item #26 Quantity 2)	A204181	1

# Engine Assembly (Engine Breakdown Pages 13-27)



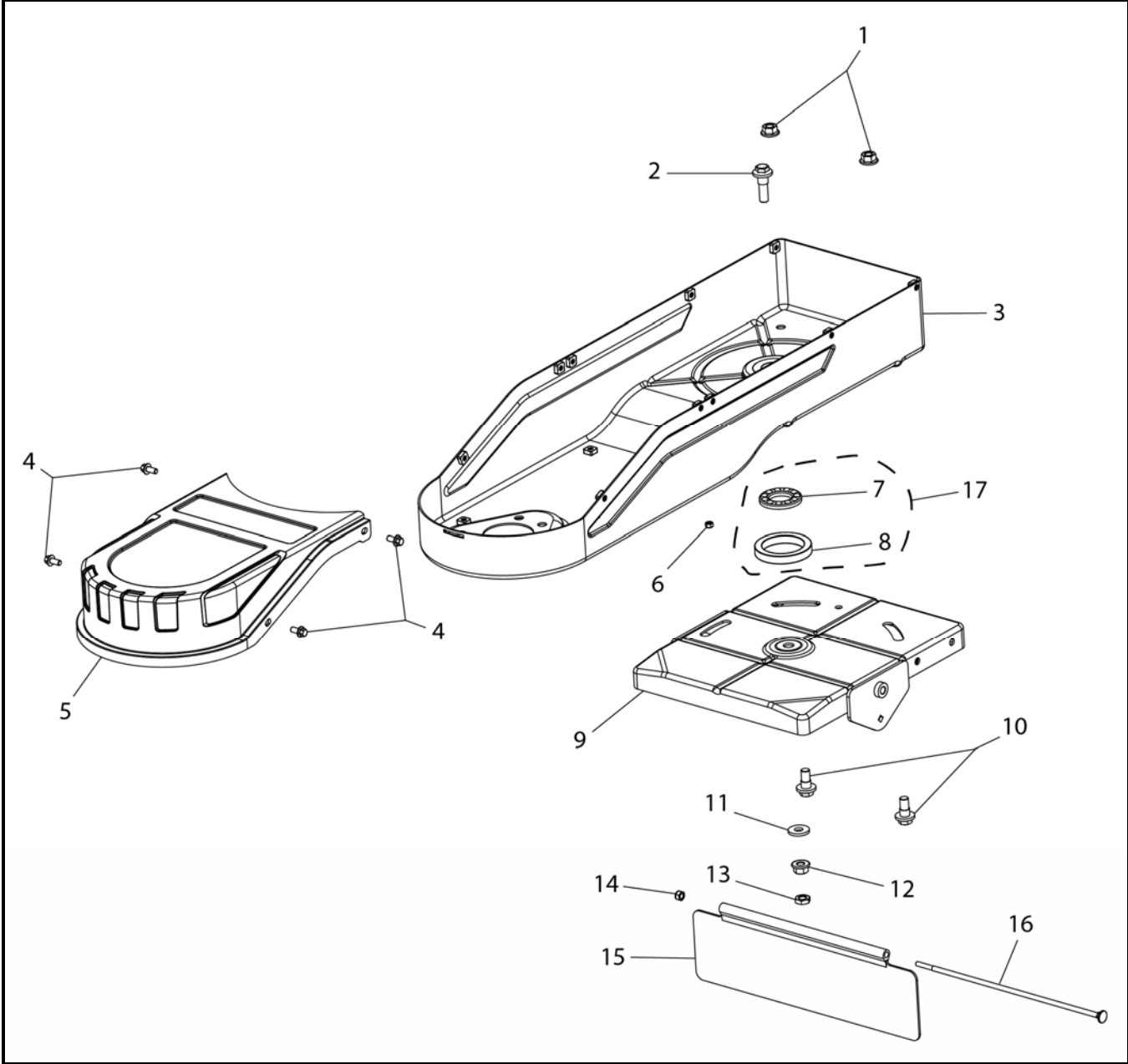
REF. NO.	DESCRIPTION	PART NO.	QTY
1	Engine, 173cc EPA3	A203872	1
2	Screw, 3/8-16 x 1.0", HFH, Tri-lobular Thread Forming, Zinc, Grade 8.8	Reference Only	3
3	Flat Washer, Heat Treated	Reference Only	1
4	Pulley, Engine	A204182	1
5	Flat Washer, 10 x 32 x 3.0, Zinc	Reference Only	1
6	Lock Washer, M10, Zinc	Reference Only	1
7	Screw, 3/8-24 x 1.0", HHCS, Zinc, Grade 10.9	A202427	1
8	Kit, Engine Screw (Includes Item #2 Quantity 3)	A204183	1
9	Kit, Engine Washer (Includes Items #3, 5-6)	A204184	1

# Drive System



REF. NO.	DESCRIPTION	PART NO.	QTY
1	Screw, M6 x 1.0 x 16, HFH, Zinc, Grade 8.8	<i>Reference Only</i>	6
2	Lock Nut, M10 x 1.5, Hex Flange, Zinc, Grade 8	<i>Reference Only</i>	2
3	Plate, Inspection, Powermate Orange	A204186	1
4	Bracket, Idler	A201948	1
5	Spring, Idler Tension	A202622	1
6	Screw, M10 x 1.25 x 15, HFH Shoulder, Zinc, Grade 8.8	A201924	1
7	Belt, Drive, 10 x 1265	A204187	1
8	Pulley, Idler	A100565	1

# Frame Assembly

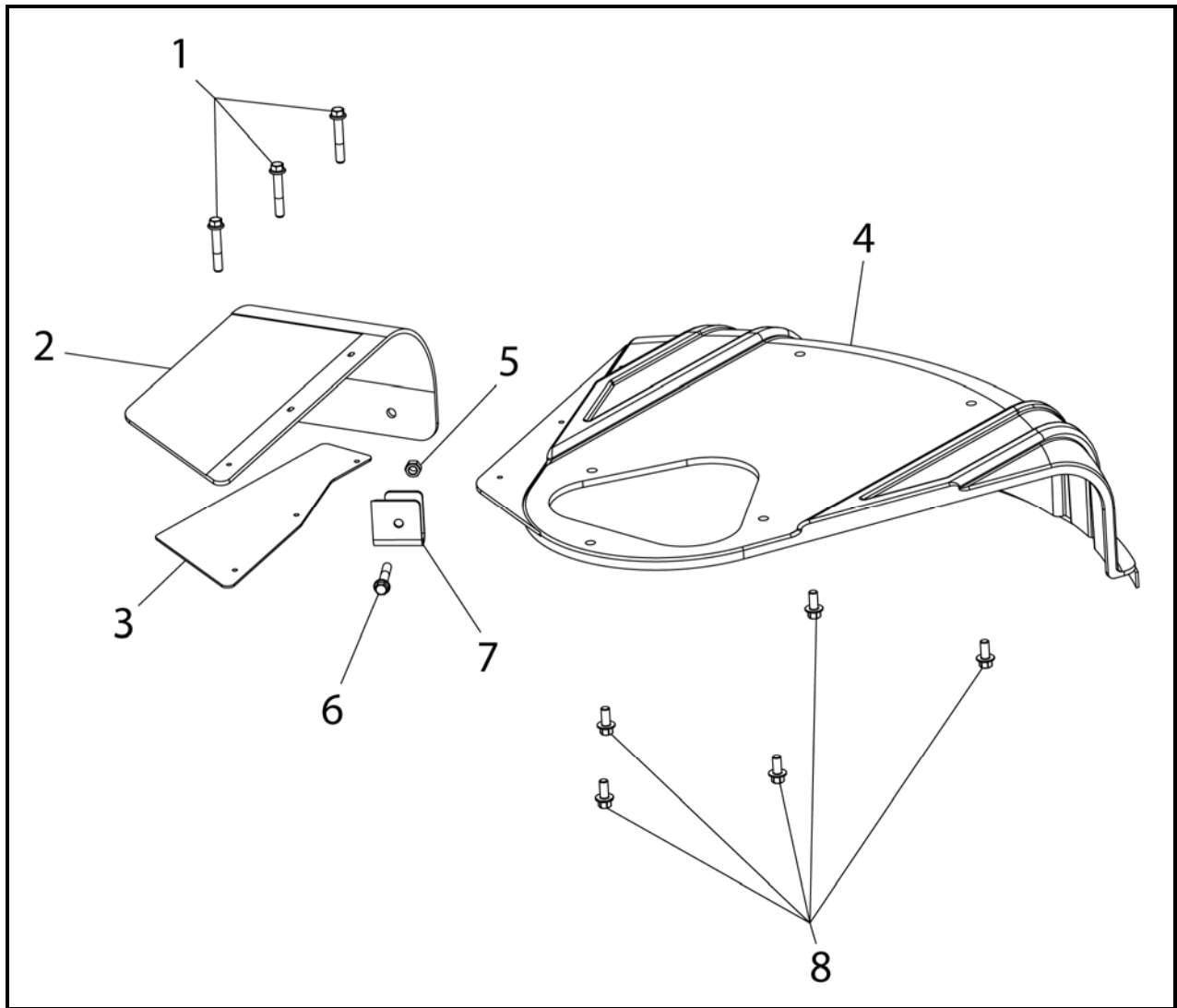




## Frame Assembly (continued)

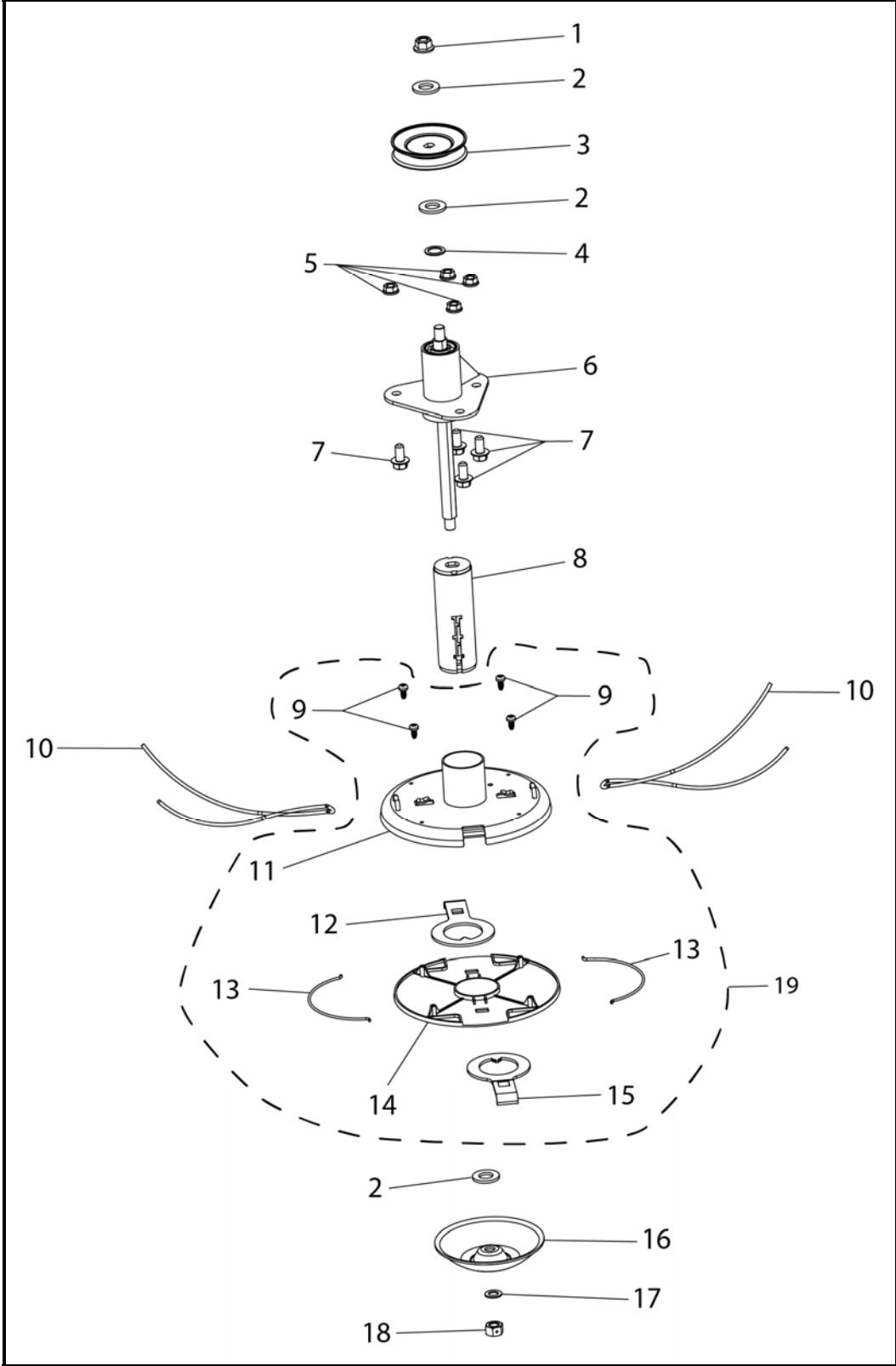
REF. NO.	DESCRIPTION	PART NO.	QTY
1	Lock Nut, M10 x 1.5, Hex Flange, Zinc, Grade 8	<i>Reference Only</i>	2
2	Bolt, M10 x 1.5 x 35, Hex Flange Shoulder, Zinc, Grade 8.8	A204188	1
3	Frame, Powermate Orange	A204190	1
4	Screw, M6 x 1.0 x 16, HFH, Zinc, Grade 8.8	<i>Reference Only</i>	4
5	Cover, Base	A201029	1
6	Lock Nut, M6 x 1.0, Hex, Zinc, Grade 8	<i>Reference Only</i>	1
7	Bearing	<i>Reference Only</i>	1
8	Seal, Dust	<i>Reference Only</i>	1
9	Base, Powermate Orange	A204192	1
10	Bolt, M10 x 1.5 x 22, Hex Flange Shoulder, Zinc, Grade 8.8	A204193	2
11	Flat Washer, 10 x 25 x 3, Zinc	<i>Reference Only</i>	1
12	Nut, M10 x 1.5, Hex Flange, Zinc, Grade 8	<i>Reference Only</i>	1
13	Nut, M10 x 1.5, Hex, Zinc, Grade 8	<i>Reference Only</i>	1
14	Lock Nut, M6 x 1.0, Hex, Zinc, Grade 8	<i>Reference Only</i>	1
15	Flap, Guard	A100571	1
16	Rod, Guard Flap Mount	A204194	1
17	Kit, Bearing and Seal (Includes Items #7-8)	A204195	1

# Shroud Assembly



REF. NO.	DESCRIPTION	PART NO.	QTY
1	Screw, No. 10-16 x 0.625", Cross Recessed Hex Flange, Thread Forming, Black Oxide, Grade 8.8	<i>Reference Only</i>	3
2	Guard, Discharge	A202422	1
3	Support, Guard	A204196	1
4	Shroud, Safety	A201026	1
5	Lock Nut, M6 x 1.0, Hex Flange, Zinc, Grade 8	<i>Reference Only</i>	1
6	Bolt, M6 x 1.0 x 35, HFH, Zinc, Grade 8.8	<i>Reference Only</i>	1
7	Blade, Line Cutting	A201910	1
8	Screw, M6 x 1.0 x 16, HFH, Zinc, Grade 8.8	<i>Reference Only</i>	5

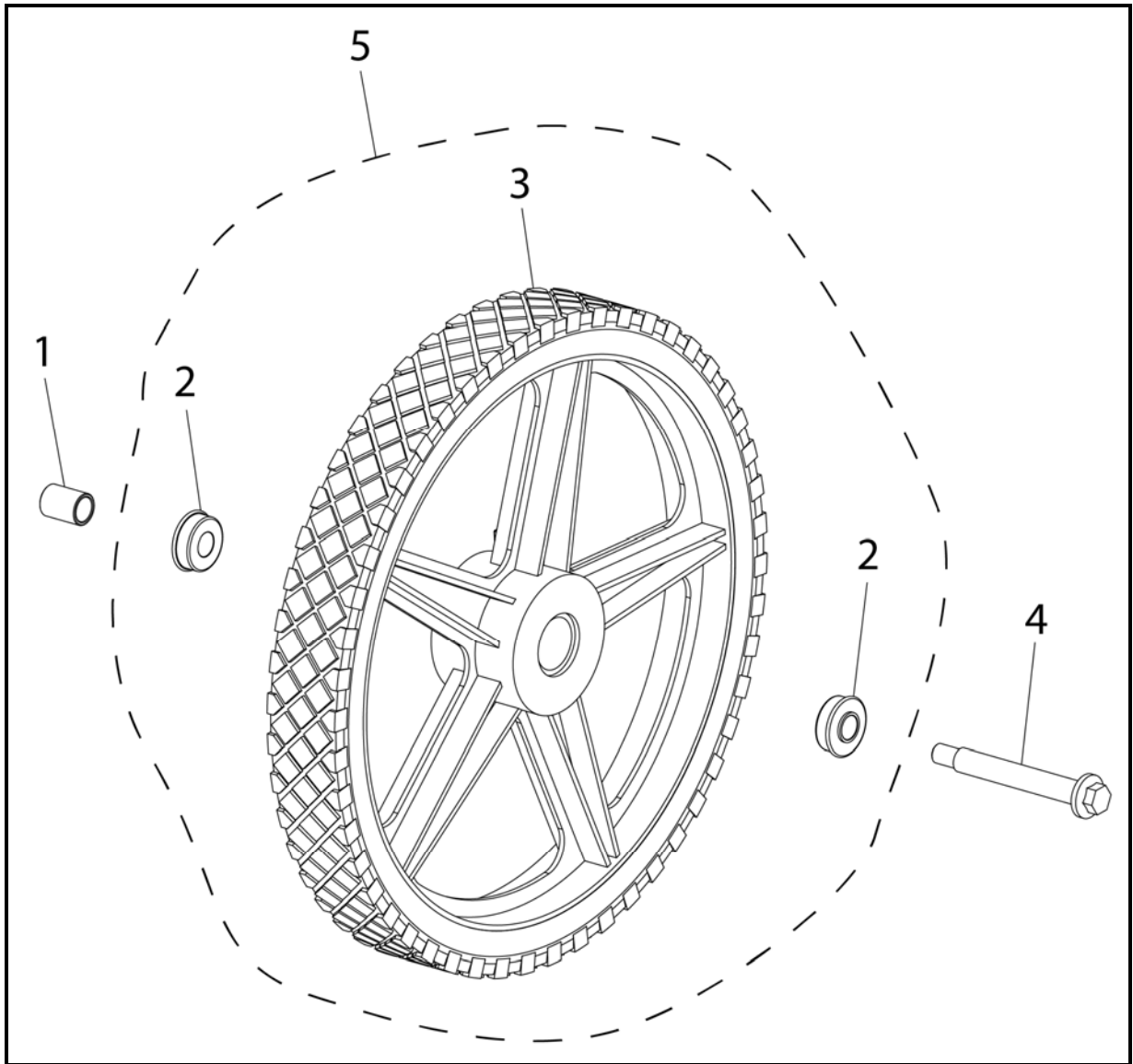
# Cutting Head Assembly



## Cutting Head Assembly (continued)

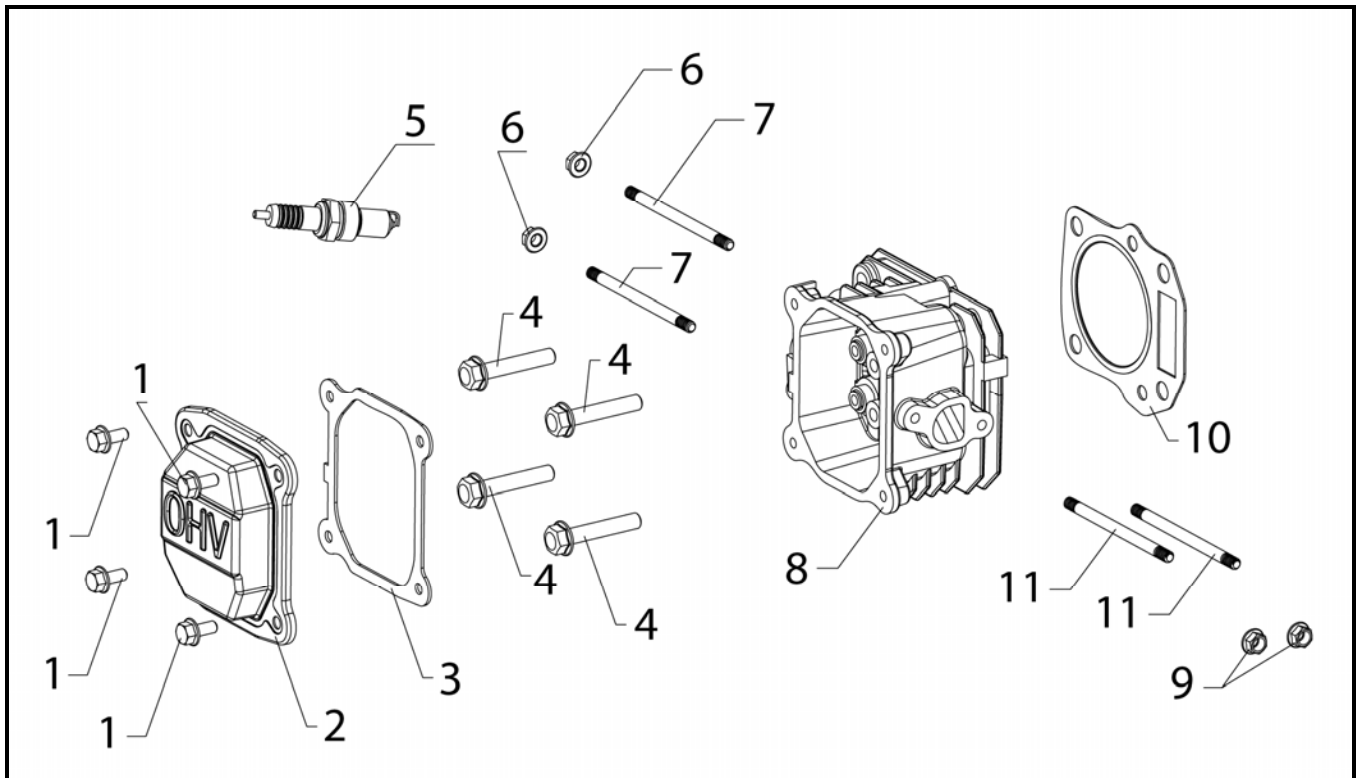
REF. NO.	DESCRIPTION	PART NO.	QTY
1	Lock Nut, M12 x 1.25 x, Hex Flange, Zinc, Grade 8	<i>Reference Only</i>	1
2	Flat Washer, 17 x 32 x 3.0, Zinc	<i>Reference Only</i>	3
3	Pulley, Cutting Head	A203089	1
4	Flat Washer, 17 x 24 x 1.5, Zinc	<i>Reference Only</i>	1
5	Lock Nut, M10 x 1.5, Hex Flange, Zinc, Grade 8	<i>Reference Only</i>	4
6	Assembly, Cutter Head Mounting	A203697	1
7	Bolt, M10 x 1.5 x 20, HFH, Zinc, Grade 8.8	<i>Reference Only</i>	4
8	Weldment, Cutter Head Tube	A203699	1
9	Screw, ST5.5 x 12, Zinc, Grade 8.8	<i>Reference Only</i>	4
10	Line, Trimmer, 0.155"	A203432	2
11	Weldment, Cutter Head, Powermate Orange	<i>Reference Only</i>	1
12	Bracket, Engagement, 1	<i>Reference Only</i>	1
13	Spring, Bracket Engagement	<i>Reference Only</i>	2
14	Plate, Guard	<i>Reference Only</i>	1
15	Bracket, Engagement, 2	<i>Reference Only</i>	1
16	Bowl, Cutter Head	A200206	1
17	Flat Washer, 12 x 20 x 1.5, Zinc	<i>Reference Only</i>	1
18	Lock Nut, M12 x 1.25, Hex, Zinc, Grade 8	<i>Reference Only</i>	1
19	Kit, Trimmer Head, Powermate Orange (Includes Items #9-10, 12-18)	A204198	1

# Wheel Assembly



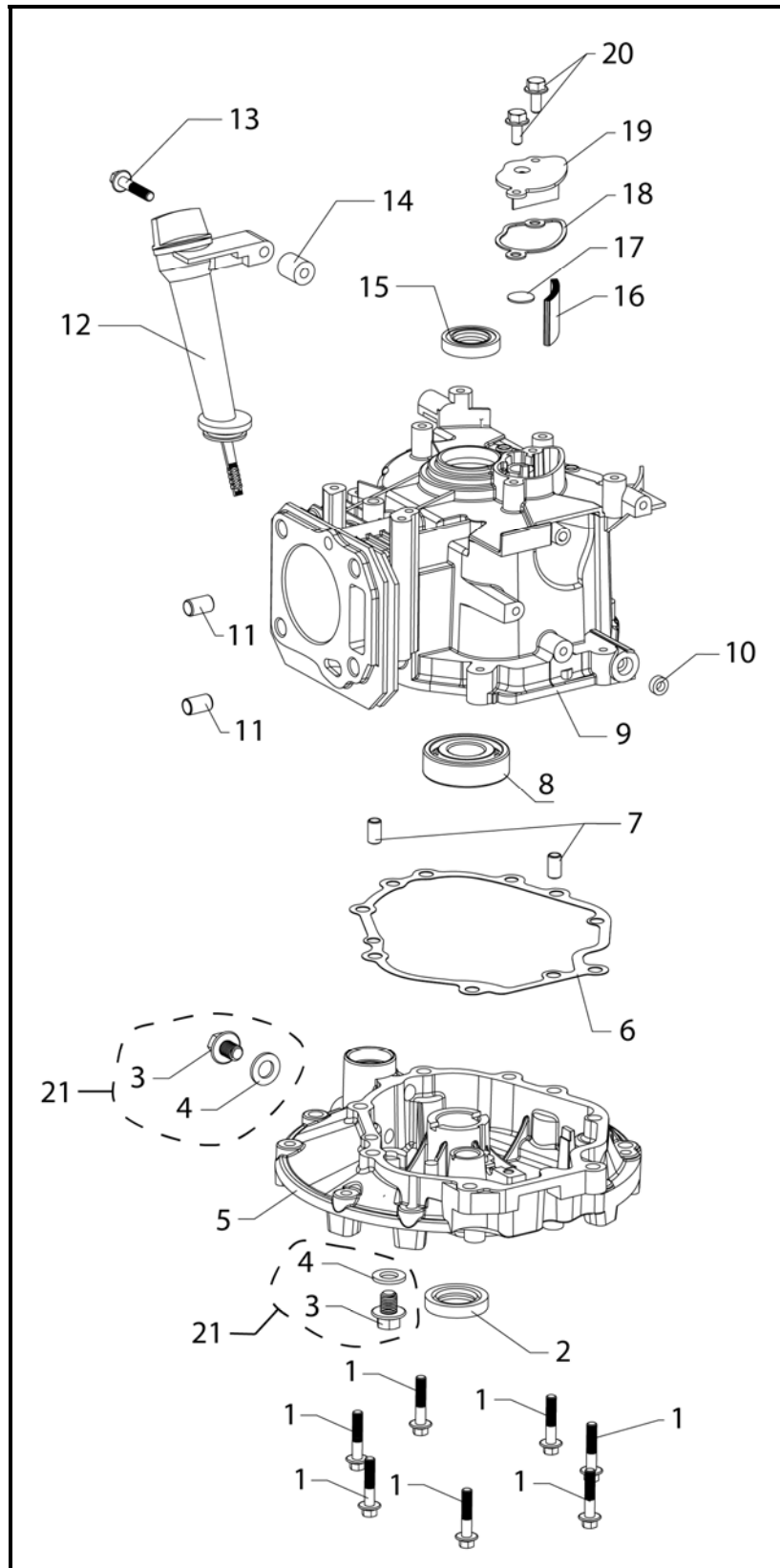
REF. NO.	DESCRIPTION	PART NO.	QTY
1	Bushing, Wheel	A204203	1
2	Bearing, Wheel	<i>Reference Only</i>	2
3	Wheel, 14", 5 Spoke	<i>Reference Only</i>	1
4	Screw, M10 x 1.5 x 105, HFH Shoulder, Zinc, Grade 8.8	A204199	1
5	Kit, Wheel with Bearings (Includes Items #2-3)	A204200	1

# Cylinder Head



REF. NO.	DESCRIPTION	PART NO.	QTY
1	Screw, M6 x 1.0 x 14, HFH	<i>Reference Only</i>	4
2	Cover, Cylinder Head	A204096	1
3	Gasket, Cylinder Head Cover	A204097	1
4	Screw, M8 x 1.25 x 50, HFH	<i>Reference Only</i>	4
5	Spark Plug	A204098	1
6	Nut, M6 x 1.0, HFH	<i>Reference Only</i>	2
7	Stud, Double End	A204099	2
8	Cylinder Head	<i>Reference Only</i>	1
9	Nut, M6 x 1.0, HFH	<i>Reference Only</i>	2
10	Gasket, Cylinder Head	A204100	1
11	Stud, Double End	A204101	2

# Crankcase Assembly

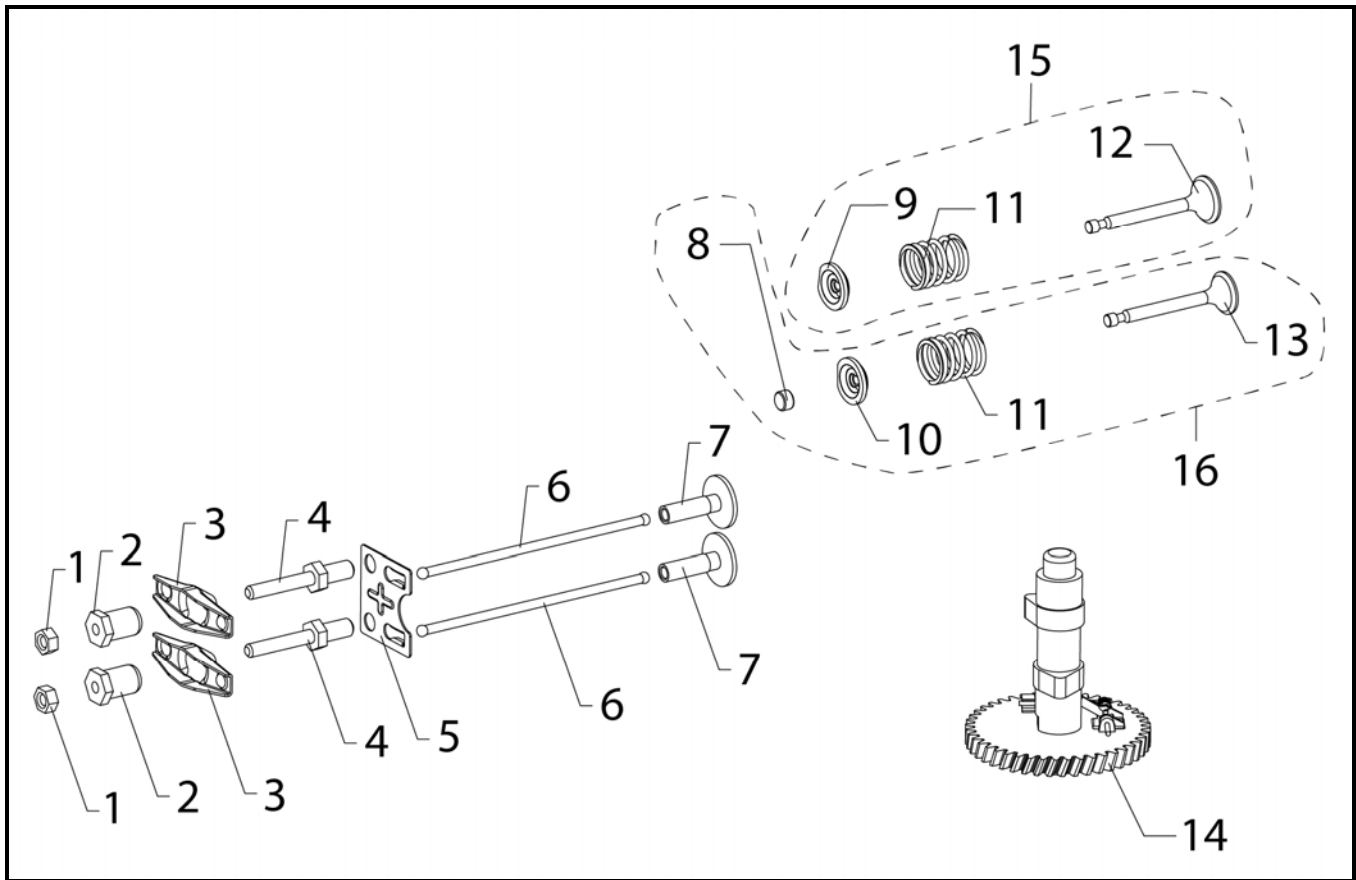


## Crankcase Assembly (continued)

REF. NO.	DESCRIPTION	PART NO.	QTY
1	Screw, M8 x 1.25 x 50, HFH	<i>Reference Only</i>	6
2	Seal, Oil	A204102	1
3	Plug, Oil Drain	<i>Reference Only</i>	2
4	Washer, Oil Drain Plug	<i>Reference Only</i>	2
5	Cover, Crankcase	<i>Reference Only</i>	1
6	Gasket, Crankcase	A204103	1
7	Dowel, Guide	<i>Reference Only</i>	2
8	Bearing	<i>Reference Only</i>	1
9	Crankcase	<i>Reference Only</i>	1
10	Seal, Oil	<i>Reference Only</i>	1
11	Dowel, Guide	<i>Reference Only</i>	2
12	Assembly, Oil Fill and Dipstick	A204104	1
13	Screw, M6 x 1.0 x 50, HFH	<i>Reference Only</i>	1
14	Spacer	<i>Reference Only</i>	1
15	Seal, Oil	A204105	1
16	Clapboard, Ventilator	<i>Reference Only</i>	1
17	Clapboard, Ventilator	<i>Reference Only</i>	1
18	Seal, Ventilator	A204106	1
19	Cover Board, Ventilator	<i>Reference Only</i>	1
20	Screw, M6 x 1.0 x 12, HFH	<i>Reference Only</i>	2
21	Kit, Oil Drain (Includes Items #3-4)	A204107	2

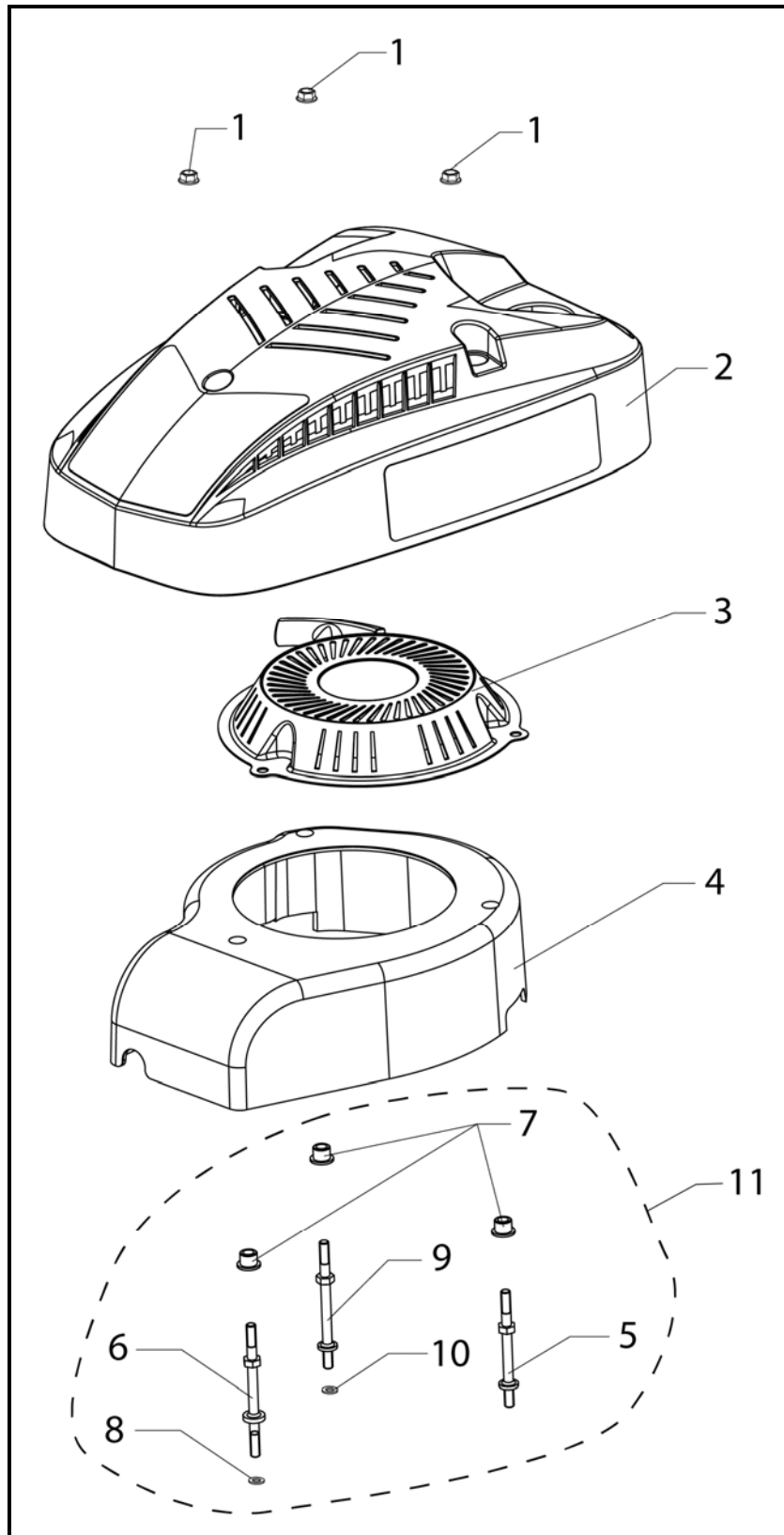


# Camshaft



REF. NO.	DESCRIPTION	PART NO.	QTY
1	Nut, Valve Adjusting	<i>Reference Only</i>	2
2	Arm, Buttonhead	<i>Reference Only</i>	2
3	Rocker, Valve	<i>Reference Only</i>	2
4	Stud, Valve Clearance Adjusting	<i>Reference Only</i>	2
5	Plate, Connecting Rod Guide	<i>Reference Only</i>	1
6	Rod, Connecting	<i>Reference Only</i>	2
7	Stud, Connecting	<i>Reference Only</i>	2
8	Cap, Exhaust Rod	<i>Reference Only</i>	1
9	Retainer, Intake Valve Spring Upper	<i>Reference Only</i>	1
10	Retainer, Exhaust Valve Spring Upper	<i>Reference Only</i>	1
11	Spring, Valve	<i>Reference Only</i>	2
12	Valve, Intake	<i>Reference Only</i>	1
13	Valve, Exhaust	<i>Reference Only</i>	1
14	Camshaft	<i>Reference Only</i>	1
15	Kit, Intake Valve (Includes Items #9, 11, 12)	A204108	1
16	Kit, Exhaust Valve (Includes Items #8, 10, 11, 13)	A204109	1

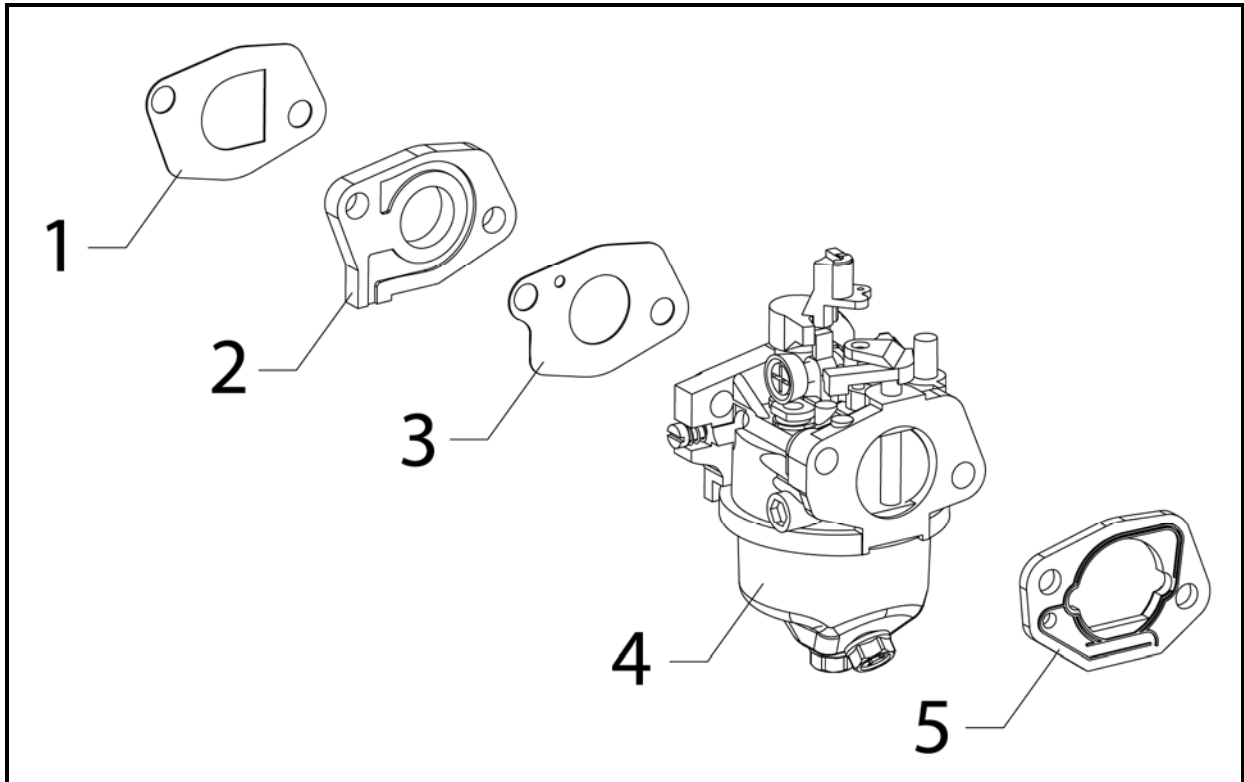
# Engine Shroud and Recoil Starter



## Engine Shroud and Recoil Starter (continued)

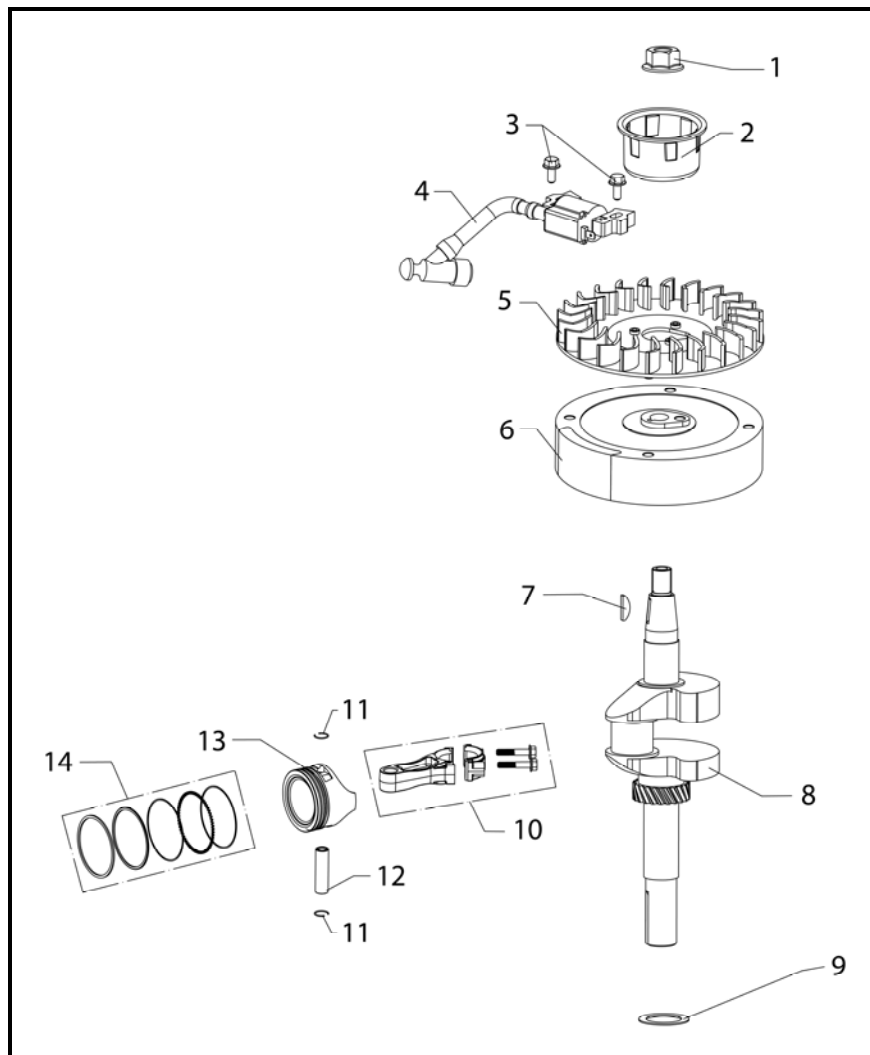
REF. NO.	DESCRIPTION	PART NO.	QTY
1	Nut, M6 x 1.0, HFH	<i>Reference Only</i>	3
2	Shroud, Engine	A204110	1
3	Assembly, Recoil Starter	A204111	1
4	Shield, Engine	A204112	1
5	Stud, Double End, 1	<i>Reference Only</i>	1
6	Stud, Double End, 2	<i>Reference Only</i>	1
7	Set, Bolt Hole	<i>Reference Only</i>	3
8	Flat Washer, 1	<i>Reference Only</i>	1
9	Stud, Double End, 3	<i>Reference Only</i>	1
10	Flat Washer, 2	<i>Reference Only</i>	1
11	Kit, Shroud Mounting (Includes Items #5-10)	A204113	1

# Carburetor



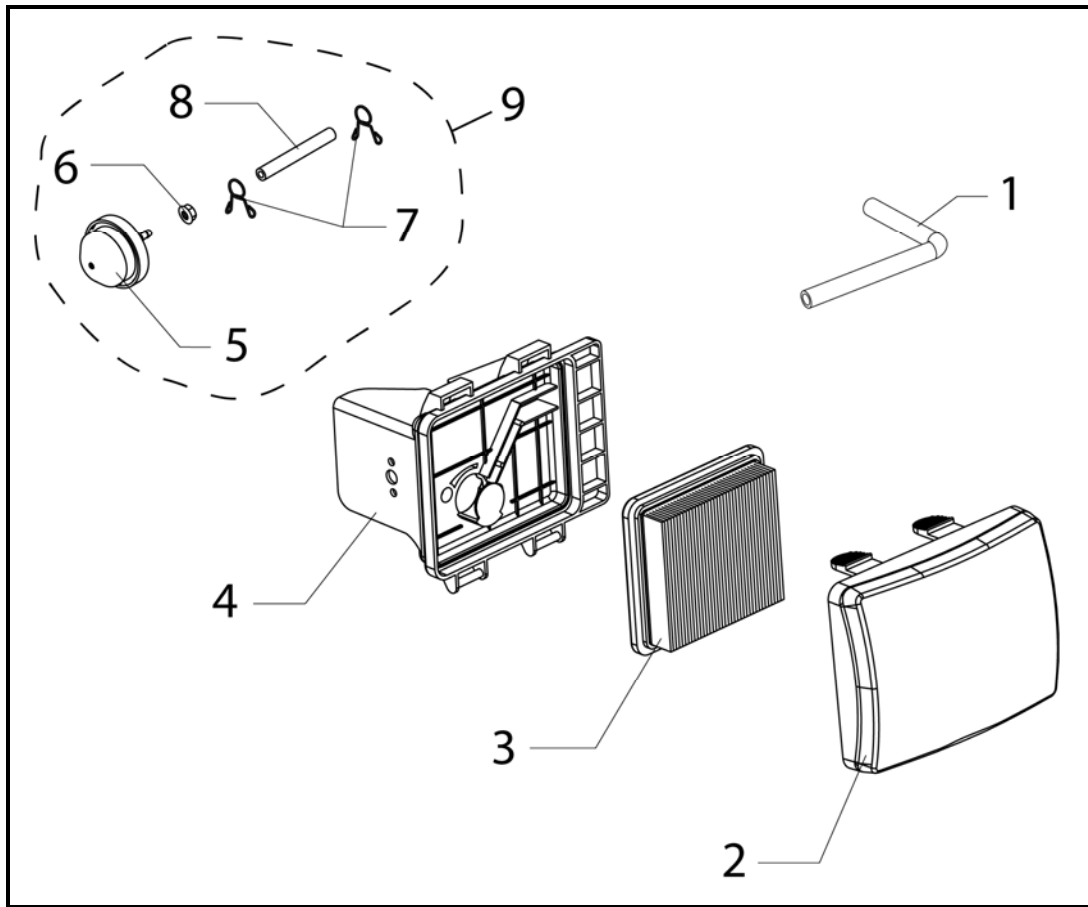
REF. NO.	DESCRIPTION	PART NO.	QTY
1	Gasket, Paper Intake	A204114	1
2	Spacer, Carburetor	A204115	1
3	Gasket, Carburetor	A204116	1
4	Assembly, Carburetor	A204117	1
5	Spacer, Air Filter	A204118	1

# Flywheel / Ignition



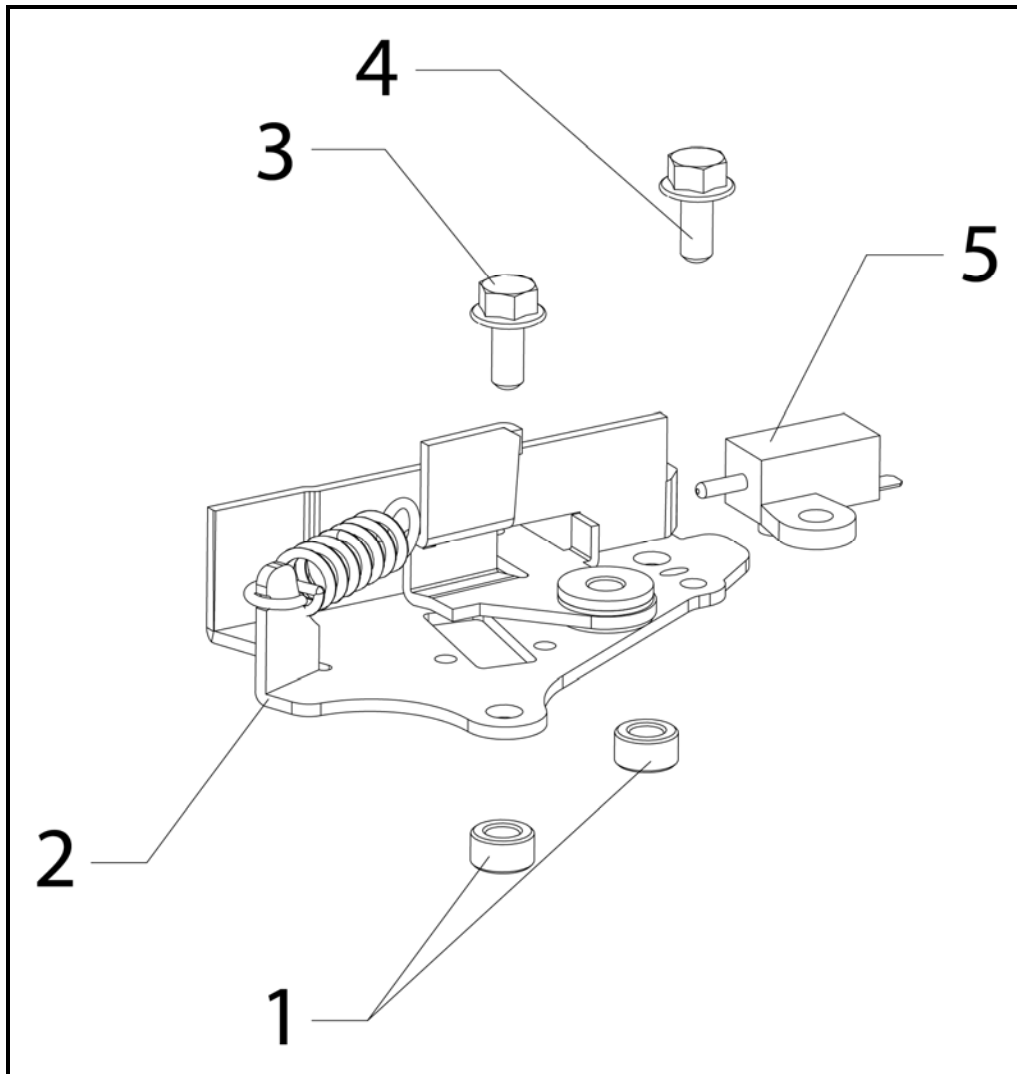
REF. NO.	DESCRIPTION	PART NO.	QTY
1	Nut, M14 x 1.5, HFH	A204119	1
2	Gear, Start-Up Ratchet	A204120	1
3	Screw, M6 x 1.0 x 25, HFH	Reference Only	2
4	Assembly, Ignition Coil	A204121	1
5	Fan, Recoil	A204122	1
6	Flywheel	A204123	1
7	Key	A204124	1
8	Crankshaft	Reference Only	1
9	Flat Washer, 36 x 25.8 x 1	Reference Only	1
10	Assembly, Connecting Rod	Reference Only	1
11	Circlip, Piston Pin	Reference Only	2
12	Pin, Piston	Reference Only	1
13	Piston	Reference Only	1
14	Assembly, Piston Ring	Reference Only	1

# Air Filter



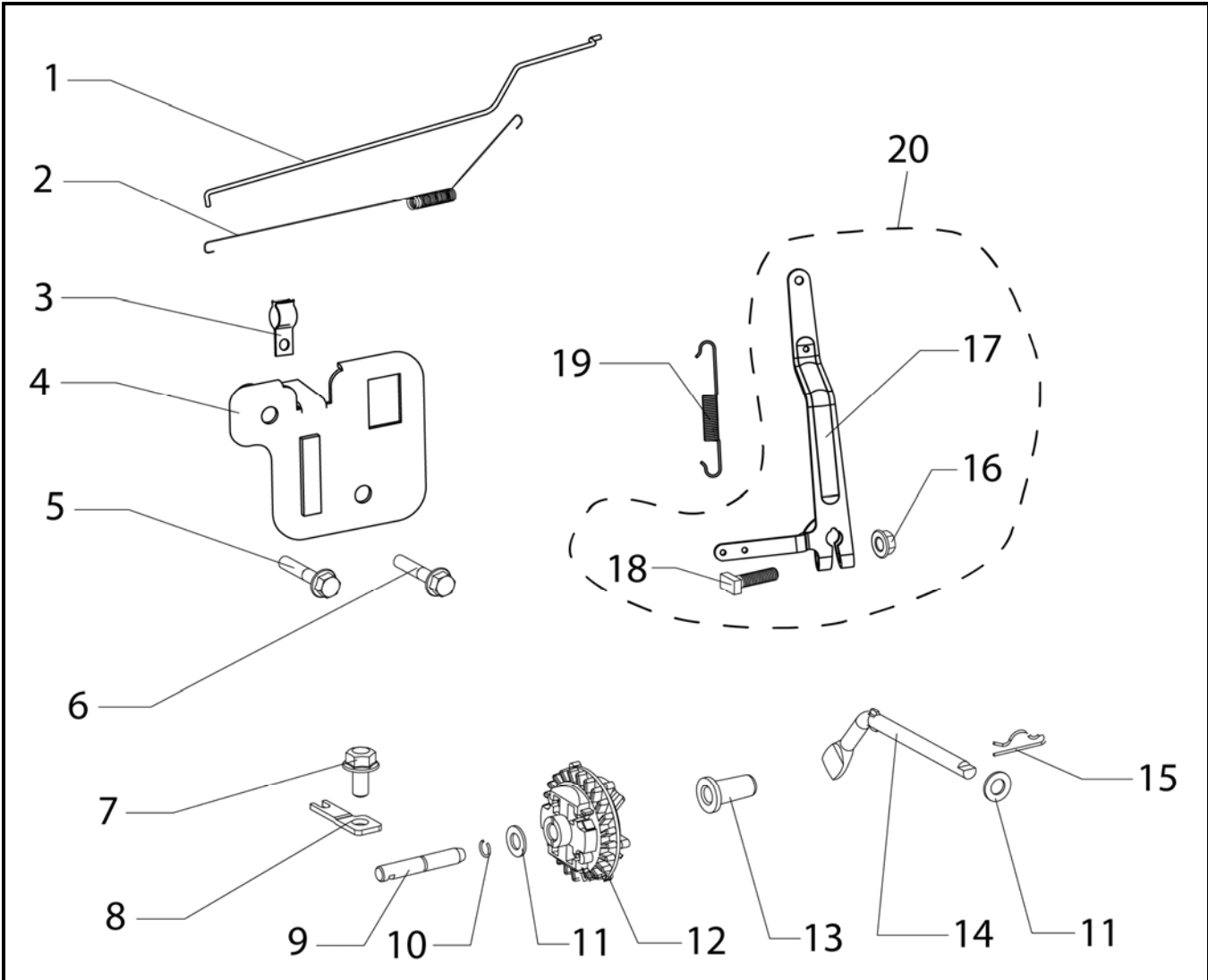
REF. NO.	DESCRIPTION	PART NO.	QTY
1	Tube, Breather	A204125	1
2	Cover, Filter Housing	A204126	1
3	Element, Filter	A204127	1
4	Housing, Inner Filter	A204128	1
5	Bulb, Primer	<i>Reference Only</i>	1
6	Nut, M6 x 1.0, HFH	<i>Reference Only</i>	1
7	Clamp, Fuel Line	<i>Reference Only</i>	2
8	Line, Fuel	<i>Reference Only</i>	1
9	Kit, Primer	A204129	1

# Braking Assembly



REF. NO.	DESCRIPTION	PART NO.	QTY
1	Spacer	<i>Reference Only</i>	2
2	Assembly, Brake	<i>Reference Only</i>	1
3	Screw, M6 x 1.0 x 20, HFH	<i>Reference Only</i>	1
4	Screw, M6 x 1.0 x 25, HFH	<i>Reference Only</i>	1
5	Assembly, Switch	<i>Reference Only</i>	1
6	Kit, Brake Assembly (Includes Item #1-5)	A204130	1

# Governor Assembly

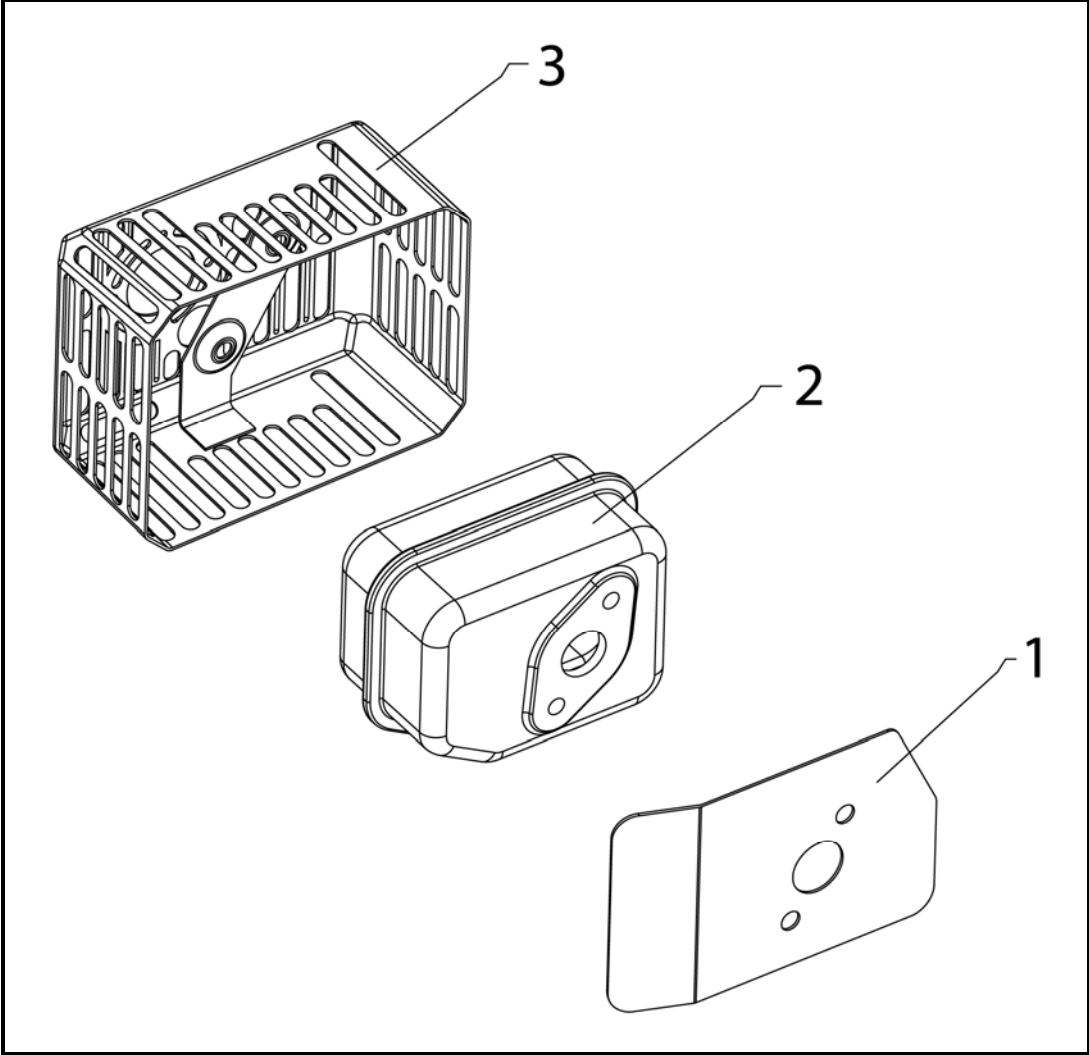




## Governor Assembly (continued)

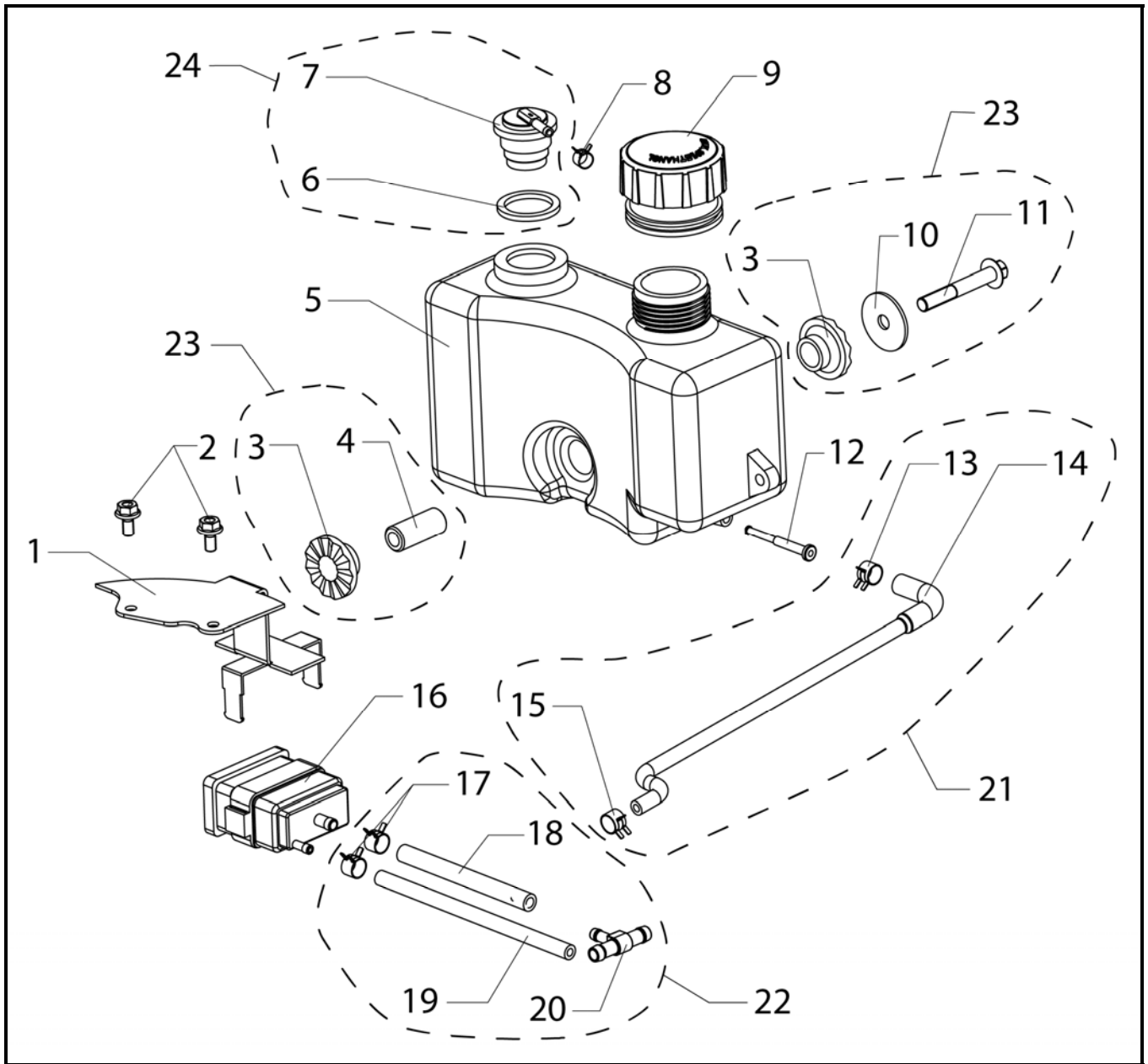
REF. NO.	DESCRIPTION	PART NO.	QTY
1	Rod, Tension	A204131	1
2	Spring, Throttle Tension	A204132	1
3	Clip	A204133	1
4	Controller, Fixing	<i>Reference Only</i>	1
5	Screw, M6 x 1.0 x 30, HFH	<i>Reference Only</i>	1
6	Screw, M6 x 1.0 x 35, HFH	<i>Reference Only</i>	1
7	Screw, M6 x 1.0 x 12, HFH	<i>Reference Only</i>	1
8	Clamp	<i>Reference Only</i>	1
9	Axle, Timing Gear	<i>Reference Only</i>	1
10	Ring, Retaining	<i>Reference Only</i>	1
11	Flat Washer, 12.8 x 6.6 x 1	<i>Reference Only</i>	2
12	Assembly, Governor	<i>Reference Only</i>	1
13	Bushing	<i>Reference Only</i>	1
14	Arm, Shifting	<i>Reference Only</i>	1
15	Pin, Cotter	A204134	1
16	Nut, M6 x 1.0, HFH	<i>Reference Only</i>	1
17	Rod, Idle	<i>Reference Only</i>	1
18	Bolt, Coach	<i>Reference Only</i>	1
19	Spring, Tension	A204135	1
20	Kit, Governor Arm Assembly (Includes Items #16-18)	A204136	1

# Muffler



REF. NO.	DESCRIPTION	PART NO.	QTY
1	Gasket, Muffler	A204137	1
2	Assembly, Muffler	A204138	1
3	Guard, Muffler	A204139	1

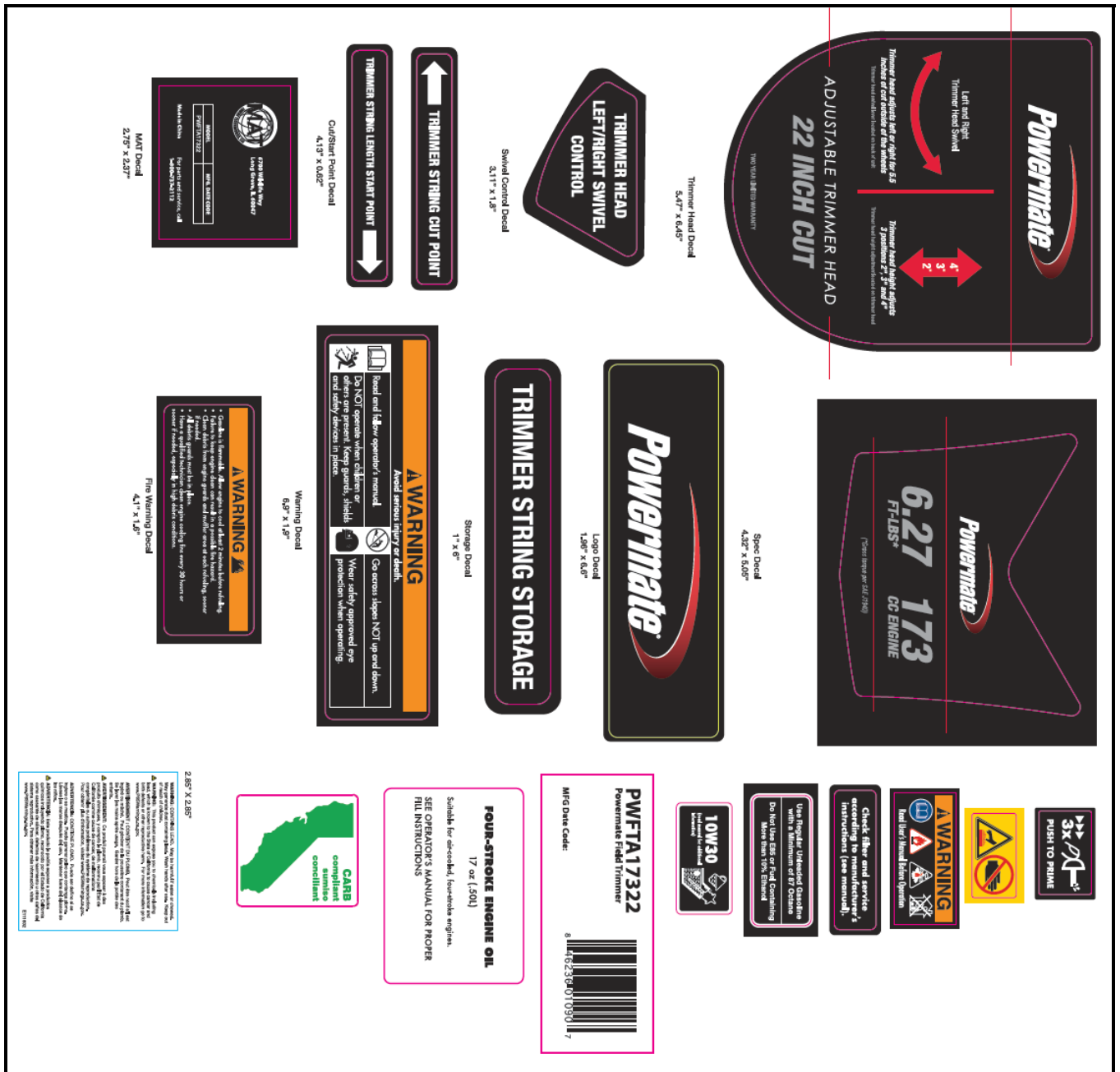
# Fuel Tank



## Fuel Tank (continued)

REF. NO.	DESCRIPTION	PART NO.	QTY
1	Board, Protection	A204140	1
2	Screw, M6 x 1.0 x 12, HFH	<i>Reference Only</i>	2
3	Isolator	<i>Reference Only</i>	2
4	Bushing	<i>Reference Only</i>	1
5	Tank, Fuel	A204141	1
6	Flat Washer	<i>Reference Only</i>	1
7	Valve, Breather	<i>Reference Only</i>	1
8	Clamp	<i>Reference Only</i>	1
9	Cap, Fuel Tank	A204142	1
10	Flat Washer	<i>Reference Only</i>	1
11	Screw, M8 x 1.25 x 50, HFH	<i>Reference Only</i>	1
12	Filter, Fuel	A204143	1
13	Clamp	<i>Reference Only</i>	1
14	Line, Fuel, 1	<i>Reference Only</i>	1
15	Clamp	<i>Reference Only</i>	1
16	Canister, Carbon	<i>Reference Only</i>	1
17	Clamp	<i>Reference Only</i>	2
18	Line, Fuel, 2	<i>Reference Only</i>	1
19	Line, Fuel, 3	<i>Reference Only</i>	1
20	Coupling, T	<i>Reference Only</i>	1
21	Kit, Fuel Hose (Includes Items #13-15)	A204144	1
22	Kit, Canister Line (Includes Items #17-20)	A204145	1
23	Kit, Fuel Tank Mounting (Includes Items #3-4, 10-11)	A204146	1
24	Kit, Breather Valve (Includes Items #6-7)	A204147	1

# Unit Decals



REF. NO.	DESCRIPTION	PART NO.	QTY
1	Kit, Decal, PWFTA17322	A203993	1