



ILLUSTRATED PARTS BOOK

4-Cycle High-Wheel Field Trimmer

PWFT16022E

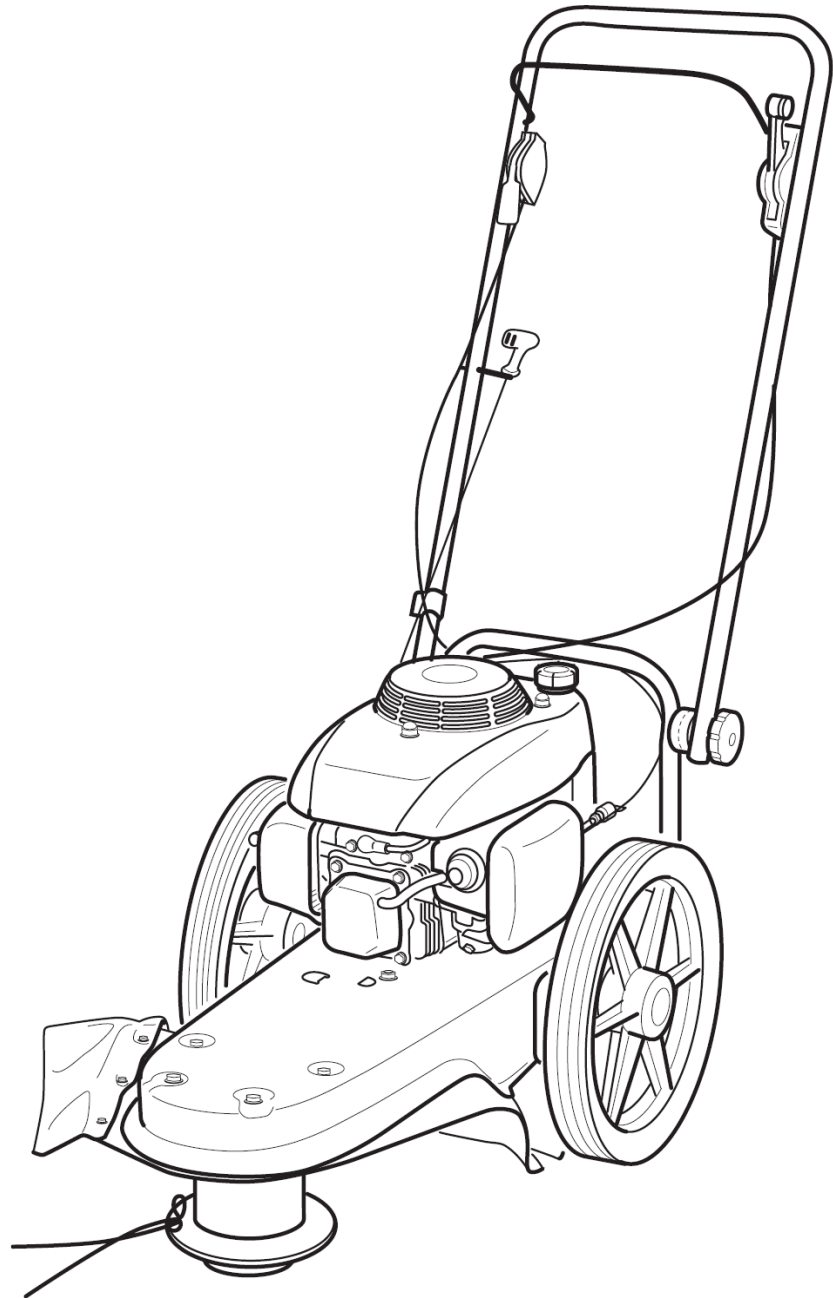
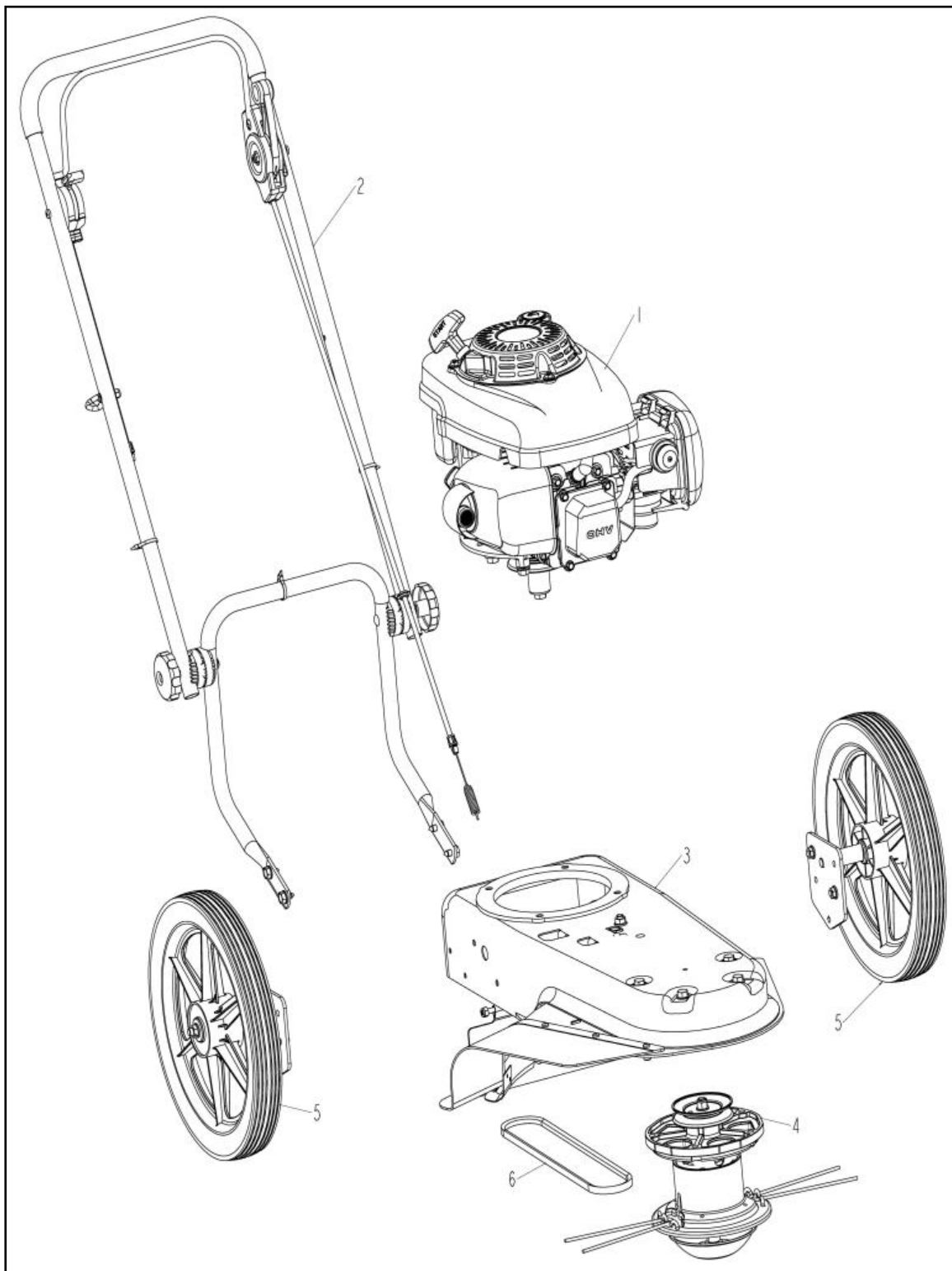


Table of Contents

Top Level Assembly.....	3
Engine - Top Level Assembly	5
Wheel Assembly	6
Handle Assembly	7
Frame Assembly.....	9
Cutting Head Assembly	11
Engine - Sub Level Assembly.....	13
Cylinder Head Assembly.....	15
Valve Timing Assembly.....	17
Crankcase Assembly.....	19
Crankshaft Assembly.....	21
Piston / Connecting Rod Assembly	22
Muffler Assembly	23
Air Filter Assembly.....	24
Carburetor Assembly	25
Ignition System Assembly	26
Engine Cover Assembly	27
Governor Assembly.....	29
Fuel Tank Assembly.....	31

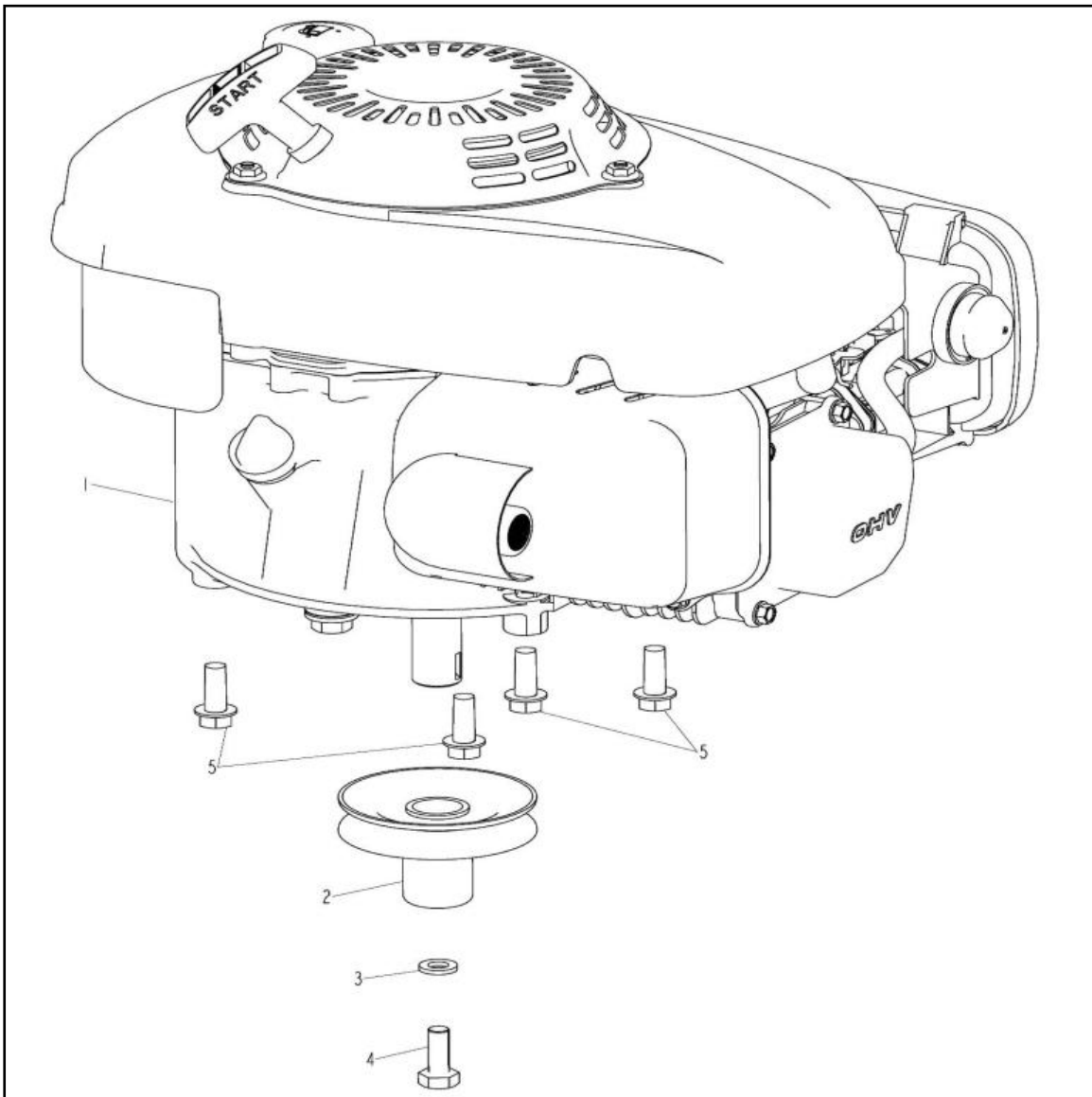
Top Level Assembly



Top Level Assembly

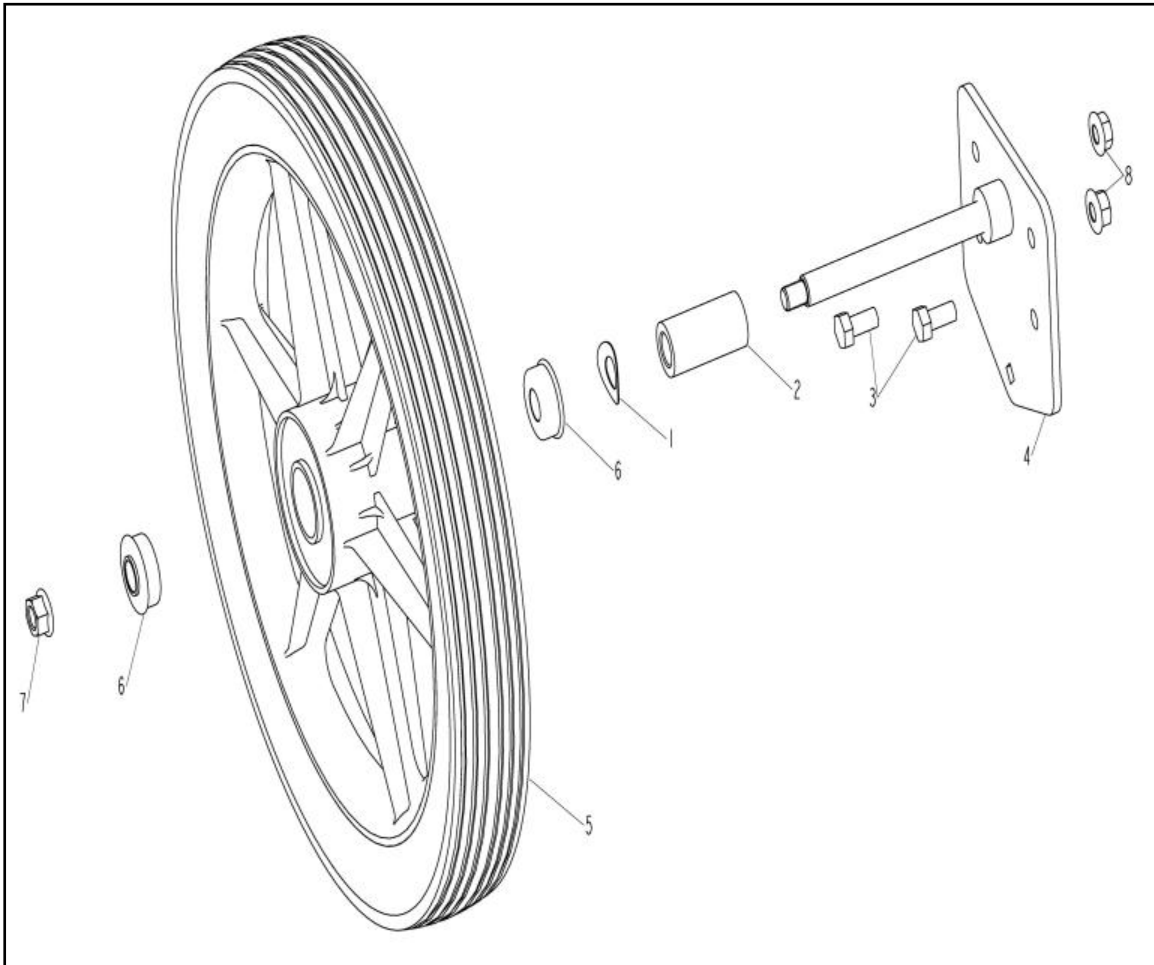
REF. NO.	NAME	PART NO.	QTY
1	Engine Top-Level Assembly	See Page 5	1
2	Handle Assembly	See Page 7	1
3	Frame Assembly	See Page 9	1
4	Cutting Head Assembly	See Page 11	1
5	Wheel Assembly	See page 6	2
6	Belt, Trimmer	A100539	1

Engine – Top Level Assembly



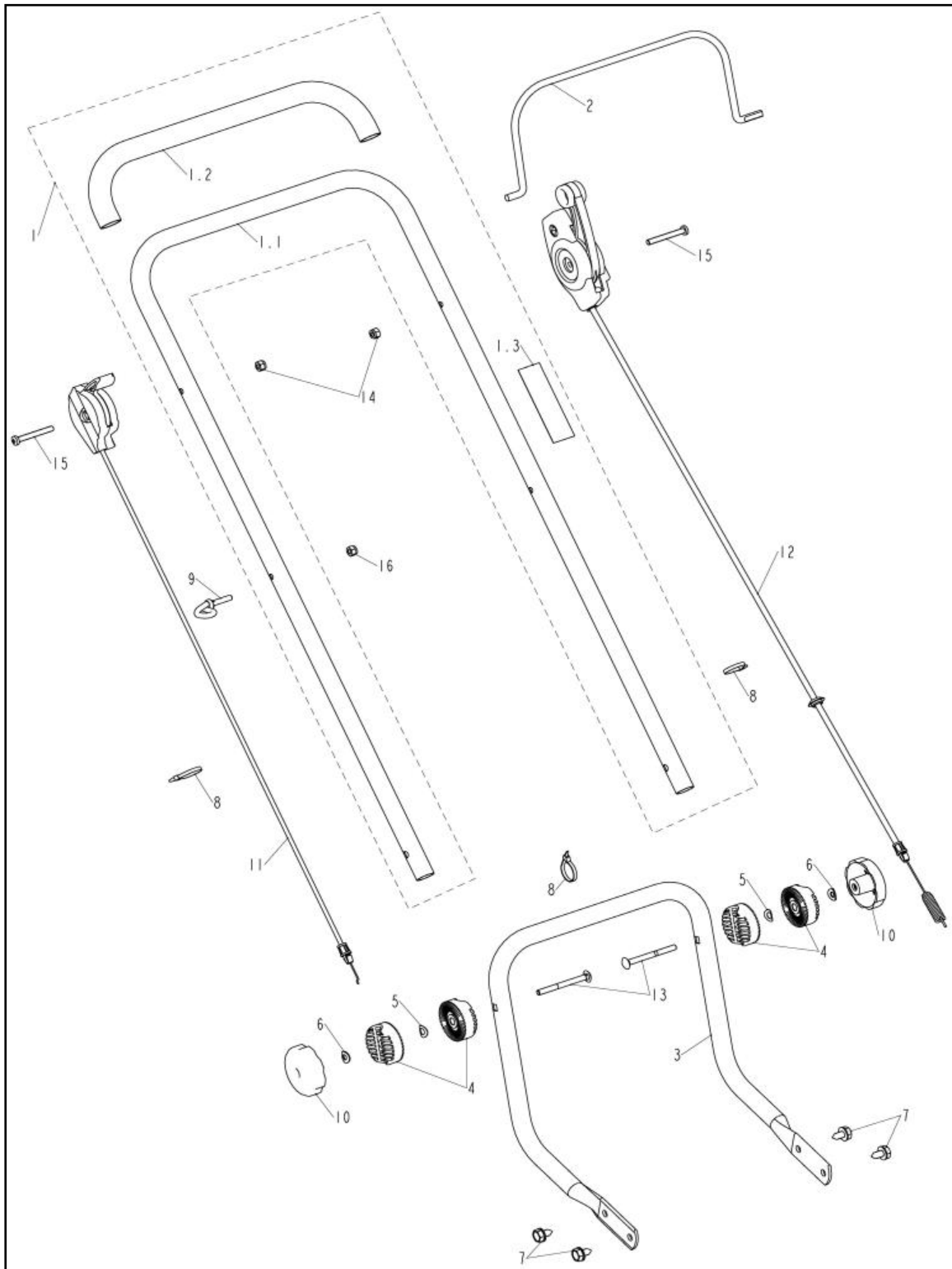
REF. NO.	NAME	PART NO.	QTY
1	Engine Sub-Level Assembly	A100535 – See Page 13	1
2	Pulley, Engine	A100536	1
3	Lock Washer, $\Phi 10$	A100537	1
4	Bolt, Hex Head 3/8-24x1.0	A100538	1
5	Screw, Engine, 3/8-16x1.0	A100540	4

Wheel Assembly



REF. NO.	NAME	PART NO.	QTY
1	Washer, Spring	A100557	1
2	Spacer	A100556	1
3	Bolt, Hex Head M8x16	A100800	2
4	Axle & Bracket	A100558	1
5	Wheel & Tire	A100559	1
6	Bearing	A100560	2
7	Lock Nut, M10	A100462	1
8	Nut, M8	A100801	2

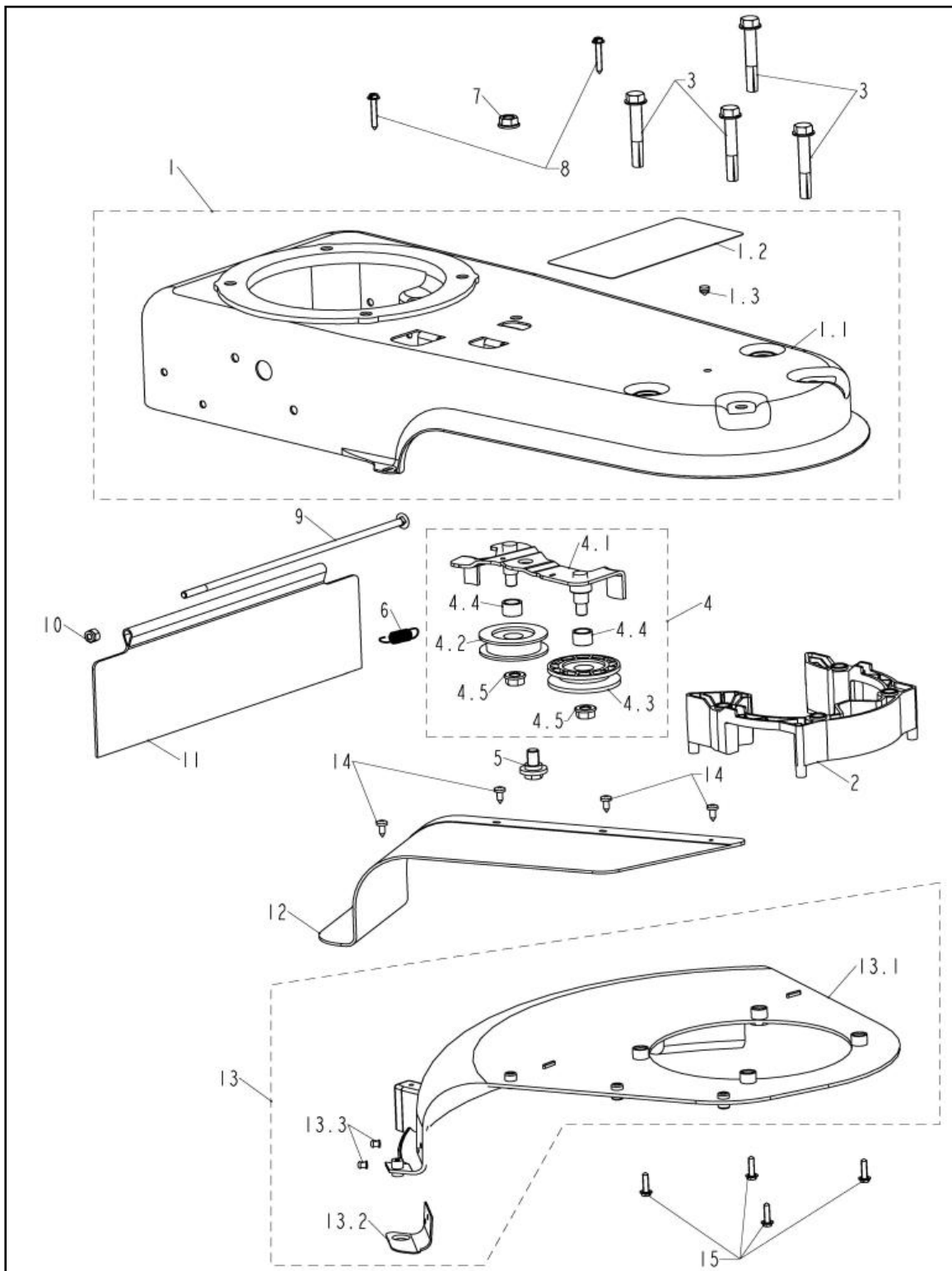
Handle Assembly



Handle Assembly

REF. NO.	NAME	PART NO.	QTY
1	Upper Handle Assembly	A101068	1
1.1	Upper Handle	For Reference Only	1
1.2	Tubing, Foam	A100553	1
1.3	Label, Engage/Disengage	A101069	1
2	Lever, Stop	A101070	1
3	Lower Handle	A100543	1
4	Pivot, Handle	A100544	4
5	Washer, Spring	A100545	2
6	Washer	A100546	2
7	Screw, 5/16-18x.62 HHWA TAP	A100547	4
8	Tie, Cable	A100548	3
9	Guide, Rope	A100521	1
10	Knob, Handle	A101107	2
11	Control, Throttle	A101072	1
12	Engagement Lever & Cable	A101073	1
13	Bolt, Carriage M8x85	A100554	2
14	Nut, Nylon Lock M6	A100506	2
15	Screw, PHPN M6x50	A100555	2
16	Nut, 1/4-20	A100707	1

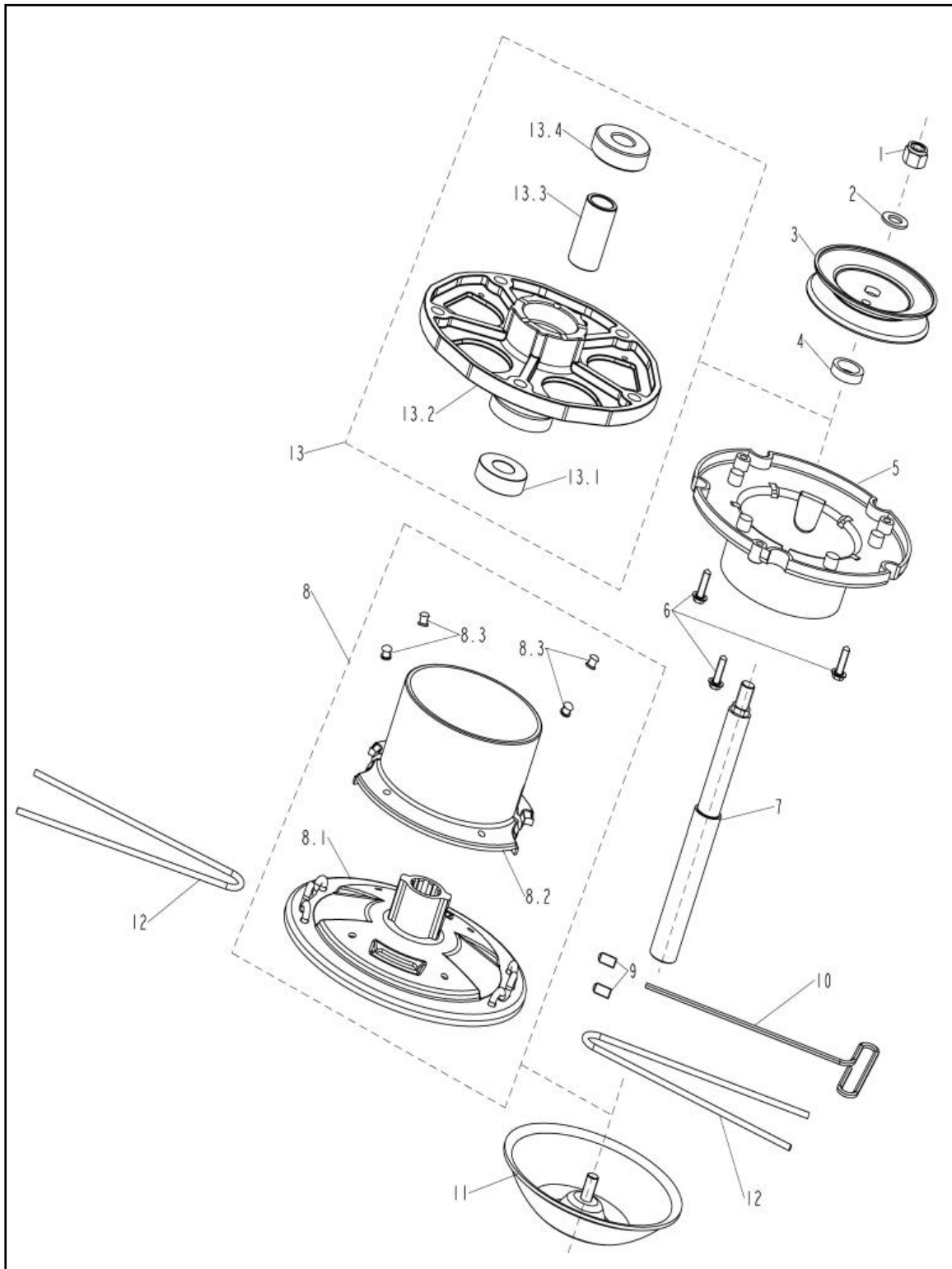
Frame Assembly



Frame Assembly

REF. NO.	NAME	PART NO.	QTY
1	Frame Sub Assembly	A101108	1
1.1	Frame	For Reference Only	1
1.2	Label, Warning	A101079	1
1.3	Plug	A101080	1
2	Spacer, Drive Belt	A100562	1
3	Screw, 3/8-16x2.5 HXWATAP	A100563	4
4	Bracket, Idler Assembly	A100835	1
4.1	Bracket, Idler	A100564	1
4.2	Pulley, Idler	A100565	1
4.3	"V" Pulley	A100566	1
4.4	Spacer	A100836	2
4.5	Lock Nut, M10	A100462	2
5	Bolt, HSH	A100569	1
6	Spring, Extension	A100570	1
7	Lock Nut, M10	A100462	1
8	Screw, #10-16x1.25	A100573	2
9	Bolt, Carriage, M6x283	A100574	1
10	Nut, Nylon Lock M6	A100506	1
11	Shield, Trailing	A100571	1
12	Flap, Debris	A100572	1
13	Shield Assembly	A100837	1
13.1	Shield	For Reference Only	1
13.2	Blade	For Reference Only	1
13.3	Rivet	For Reference Only	2
14	Screw, ST4.8x12	A100575	4
15	Screw, #10-16x.75	A100576	4

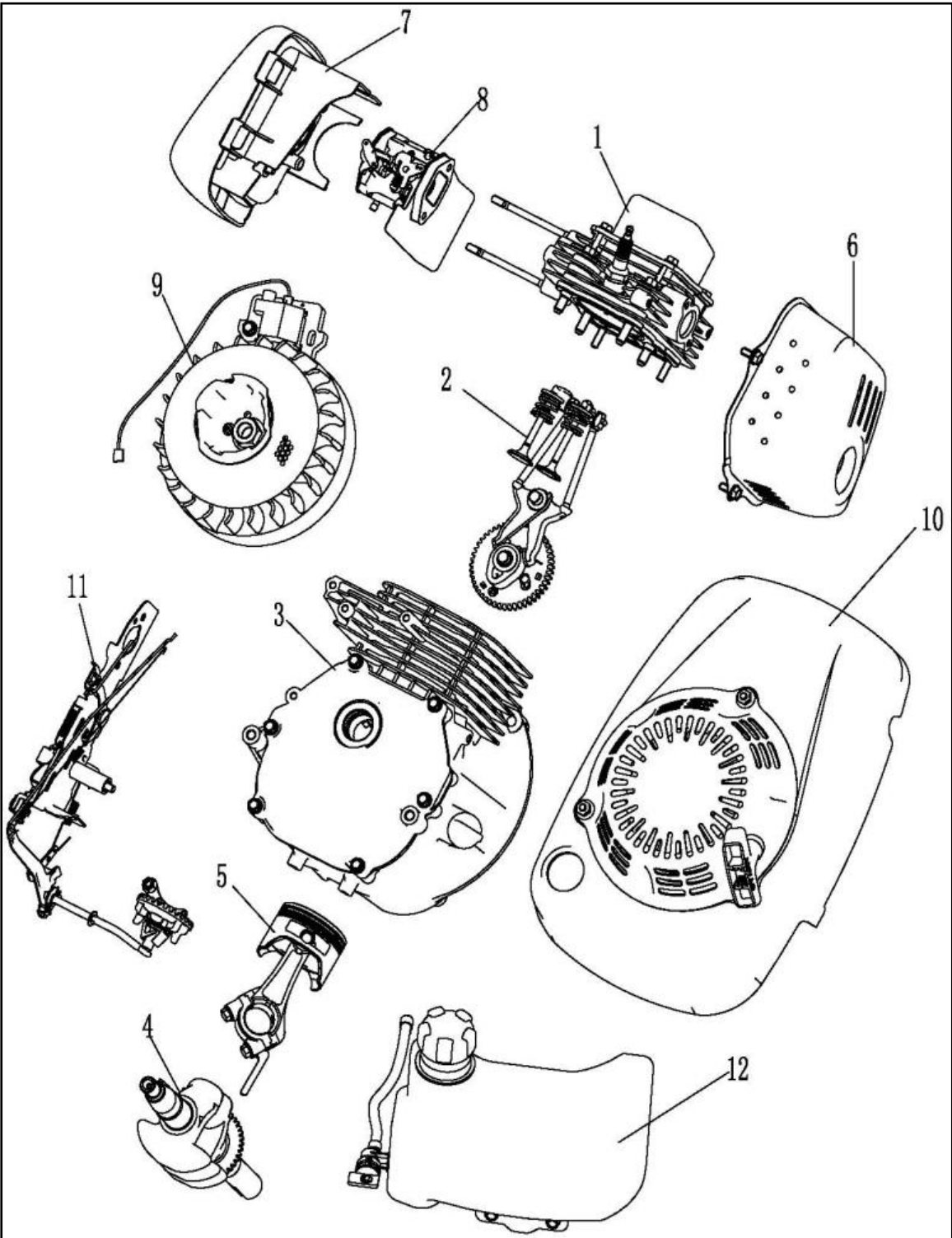
Cutting Head Assembly



Cutting Head Assembly

REF. NO.	NAME	PART NO.	QTY
1	Nut, M10x1.25	A100703	1
2	Washer, Flat Φ 10	A100577	1
3	Pulley, Cutting Head	A100578	1
4	Spacer	A100579	1
5	Wrap Weed, Upper BLK	A100580	1
6	Screw, #10-16x.75	A100576	3
7	Shaft, Cutting Head	A100582	1
8	Cutter Head & Wrap Assembly	A100840	1
8.1	Cutter Head	For Reference Only	1
8.2	Wrap Weed, Lower BLK	For Reference Only	1
8.3	Rivet	For Reference Only	4
9	Screw, M6x12	A100584	2
10	Wrench, T-Handle	A100585	1
11	Guide, Height	A100587	1
12	Line, Trimmer	For Reference Only	2
13	Jackshaft Housing Assembly	A100839	1
13.1	Bearing, 99502	A100592	1
13.2	Housing, Jackshaft	A100590	1
13.3	Spacer	A100591	1
13.4	Bearing, 6203-2DLRS-5/8	A100589	1

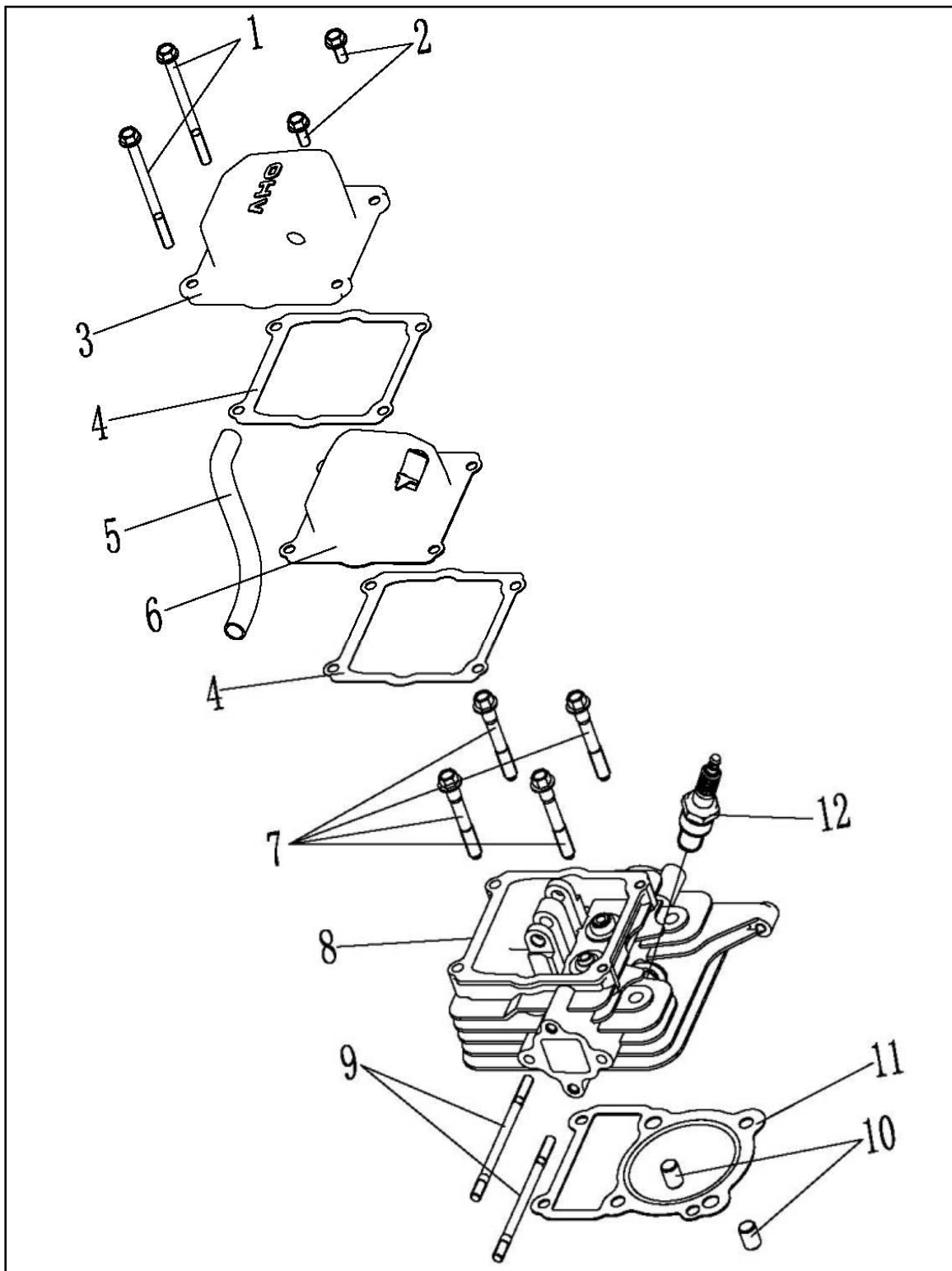
Engine - Sub Level Assembly



Engine – Sub Level Assembly

REF. NO.	NAME	PART NO.	QTY
1	Cylinder Head Assembly	See Page 15	1
2	Valve Timing Assembly	See Page 17	1
3	Crankcase Assembly	See Page 19	1
4	Crankshaft Assembly	See Page 21	1
5	Piston & Connecting Rod Assembly	See Page 22	1
6	Muffler Assembly	A100699 – See Page 23	1
7	Air Filter Assembly	See Page 24	1
8	Carburetor Assembly	See Page 25	1
9	Ignition System Assembly	See Page 26	1
10	Engine Cover Assembly	See Page 27	1
11	Centrifugal Governor Assembly	See Page 29	1
12	Fuel Tank Assembly	See Page 31	1

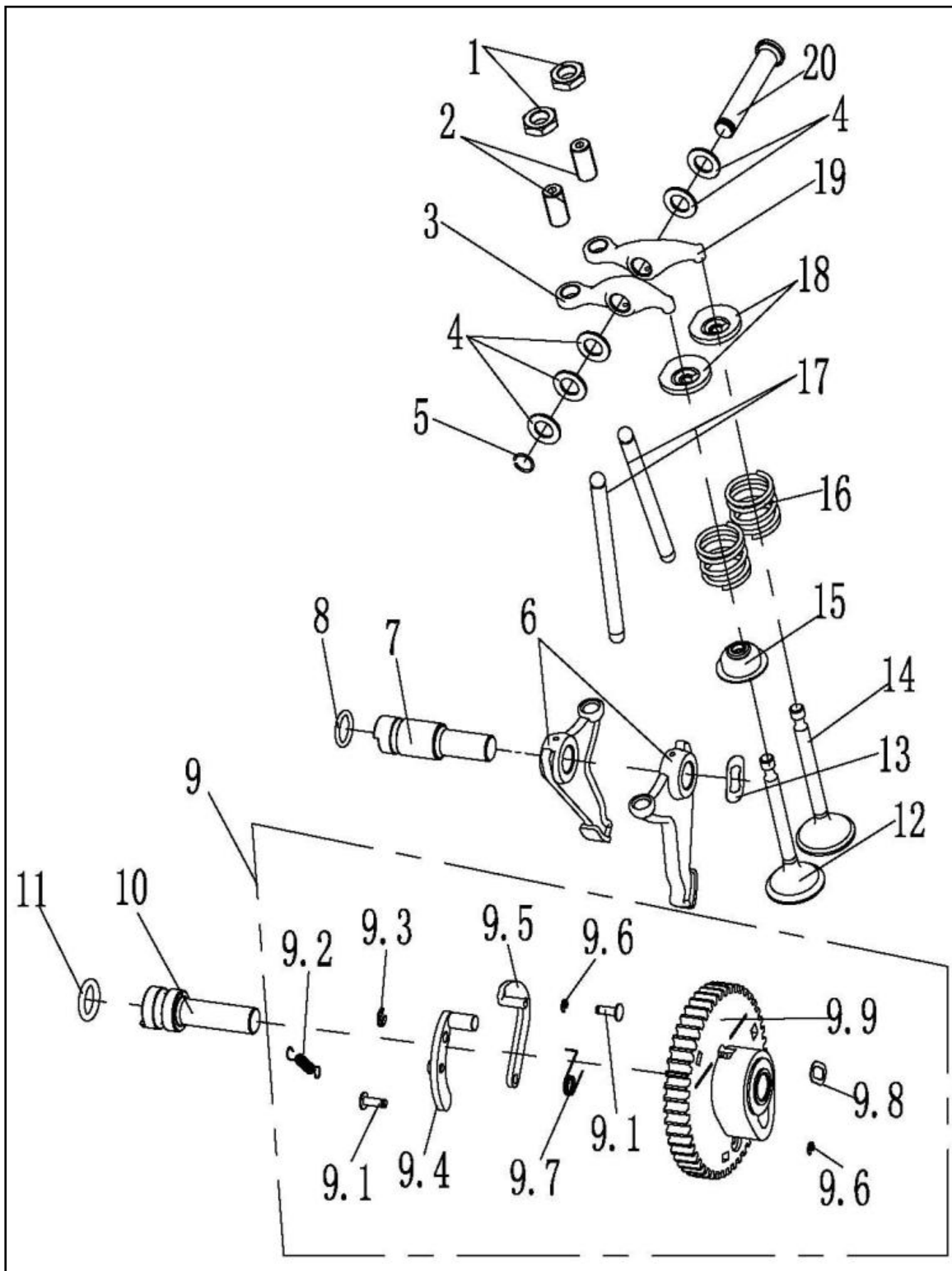
Cylinder Head Assembly



Cylinder Head Assembly

REF. NO.	NAME	PART NO.	QTY
1	Bolt	A100659	2
2	Bolt, M6x14	A100663	2
3	Cylinder Head Cover	A100664	1
4	Gasket, Cylinder Head (I)	A100665	2
5	Breather Tube	A100666	1
6	Cylinder Head Cover Spacer	A100667	1
7	Bolt, M8x55	A200024	4
8	Cylinder Head	A200025	1
9	Double End Stud	A200026	2
10	Aligning Pin	A200046	2
11	Gasket, Cylinder Head (II)	A100674	1
12	Spark Plug	A100662	1

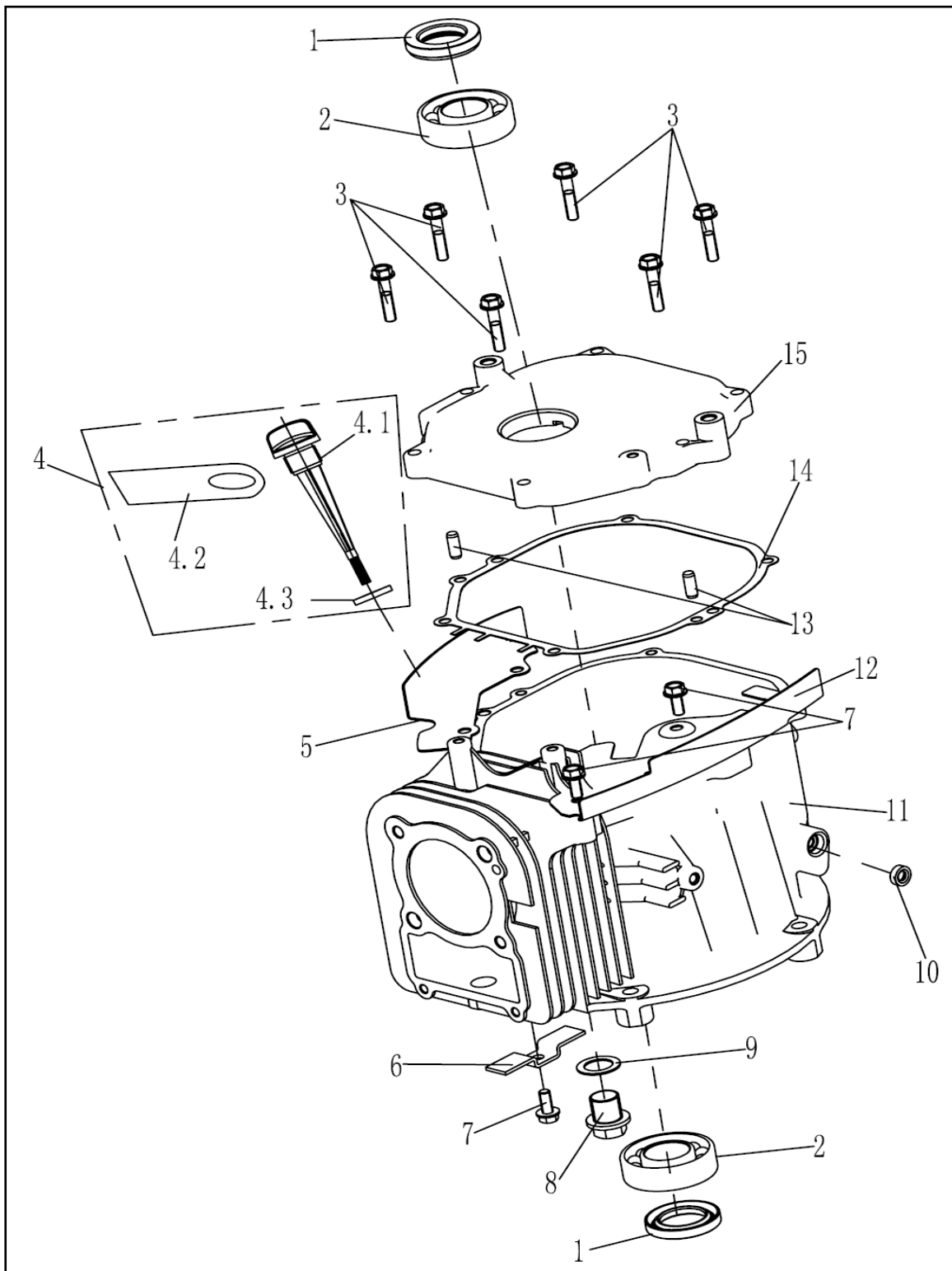
Valve Timing Assembly



Valve Timing Assembly

REF. NO.	NAME	PART NO.	QTY
1	Valve Lash Adjusting Nut	A200045	2
2	Valve Lash Adjusting Screw	A200044	2
3	Inlet Valve Rocker	A200043	1
4	Washer	A100794	5
5	Retaining Ring	A200042	1
6	Idle Rod	A200041	2
7	Idle Rod Shaft	A200040	1
8	O Ring, $\varnothing 10.6 \times 1.8$	A200039	1
9	Cam Assembly	A100822	1
9.1	Shaft	For Reference Only	2
9.2	Tension Spring	For Reference Only	1
9.3	Retaining Ring 3	For Reference Only	1
9.4	Pawl (I)	For Reference Only	1
9.5	Pawl (II)	For Reference Only	1
9.6	Retaining Ring 2	For Reference Only	2
9.7	Torsion Spring	For Reference Only	1
9.8	Ring Gasket	For Reference Only	1
9.9	Cam Gear	For Reference Only	1
10	Camshaft Set	A200032	1
11	O Ring, $\varnothing 11.2 \times 2.5$	A200031	1
12	Inlet Valve	A200056	1
13	Spring Washer	A200055	1
14	Exhaust Valve	A200054	1
15	Inlet Valve Oil Seal	A200053	1
16	Valve Spring	A200052	2
17	Valve Tappet	A200051	2
18	Valve Spring Seat	A200050	2
19	Exhaust Valve Rocker	A200049	1
20	Rocker Shaft	A200047	1

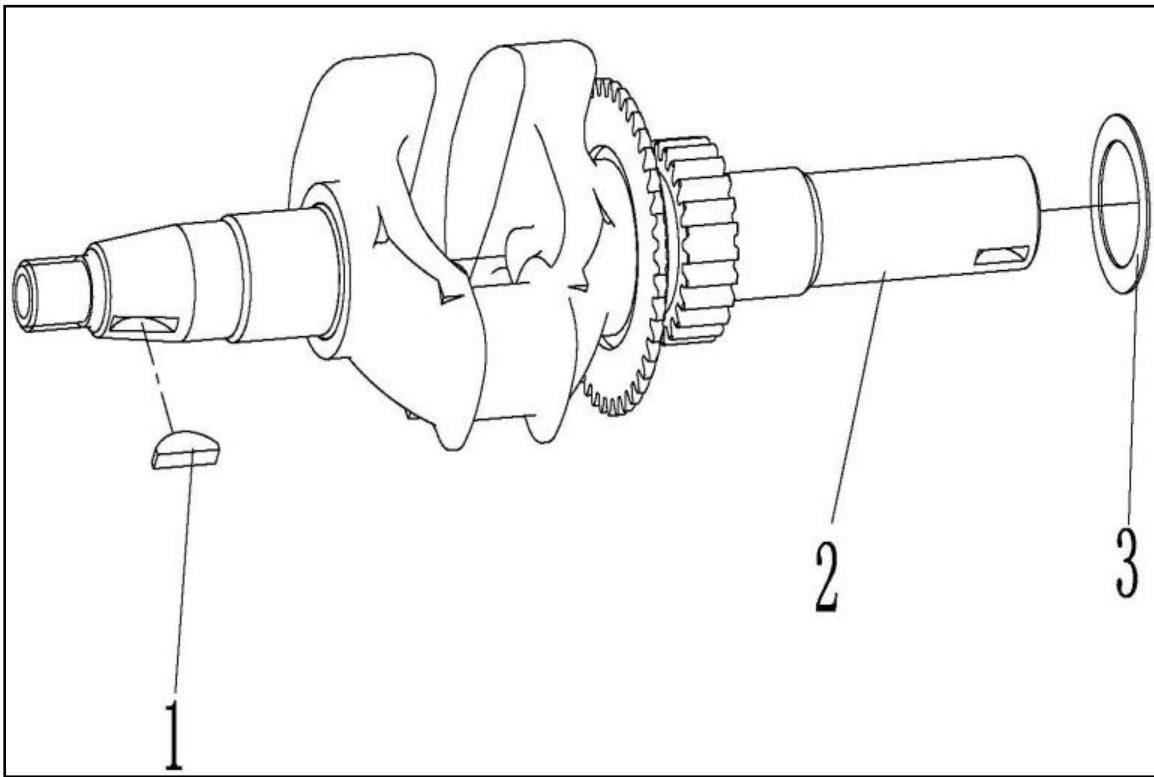
Crankcase Assembly



Crankcase Assembly

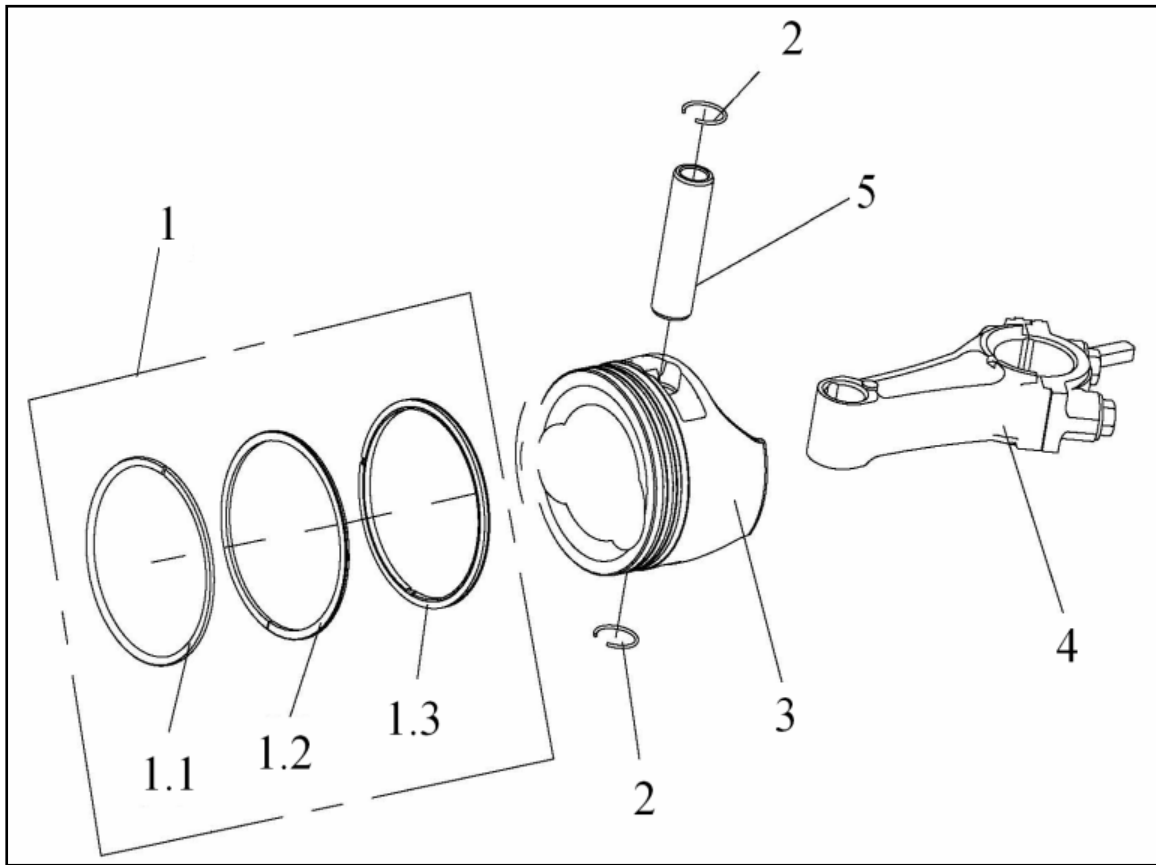
REF. NO.	NAME	PART NO.	QTY
1	Oil Seal	A100675	2
2	Bearing, 6025/P53	A200102	2
3	Bolt, M6×30	A200097	6
4	Oil Dip Rod Assembly	For Reference Only	1
4.1	Oil Dip Rod	A101095	1
4.2	Oil Hang Tag - Oil Dipstick	A100979	1
4.3	Oil Sealing Plate	A100686	1
5	Wind Shield, Left	A200030	1
6	Shield	A200060	1
7	Bolt, M6x12	A100657	3
8	Drain Plug, M16×15	A200062	1
9	Washer, 16×24×1.4	A200061	1
10	Oil Seal	A100684	1
11	Crankcase Body	A200099	1
12	Wind Shield, Right	A200029	1
13	Aligning Pin	A100683	2
14	Paper Gasket	A100682	1
15	Crankcase Cover	A200098	1

Crankshaft Assembly



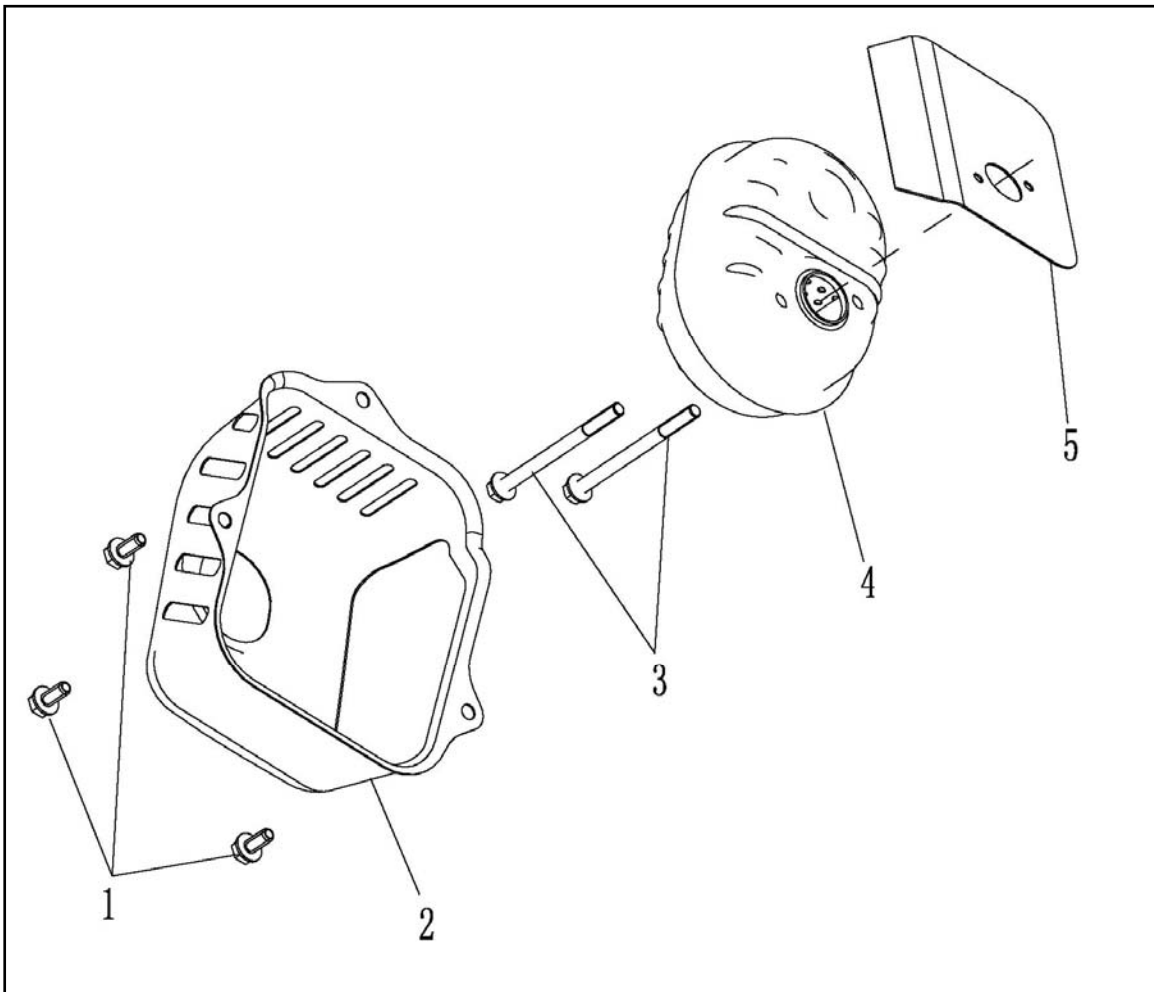
REF. NO.	NAME	PART NO.	QTY
1	Semicircular Key	A100688	1
2	Crankshaft	A200104	1
3	Washer	A100796	1

Piston / Connecting Rod Assembly



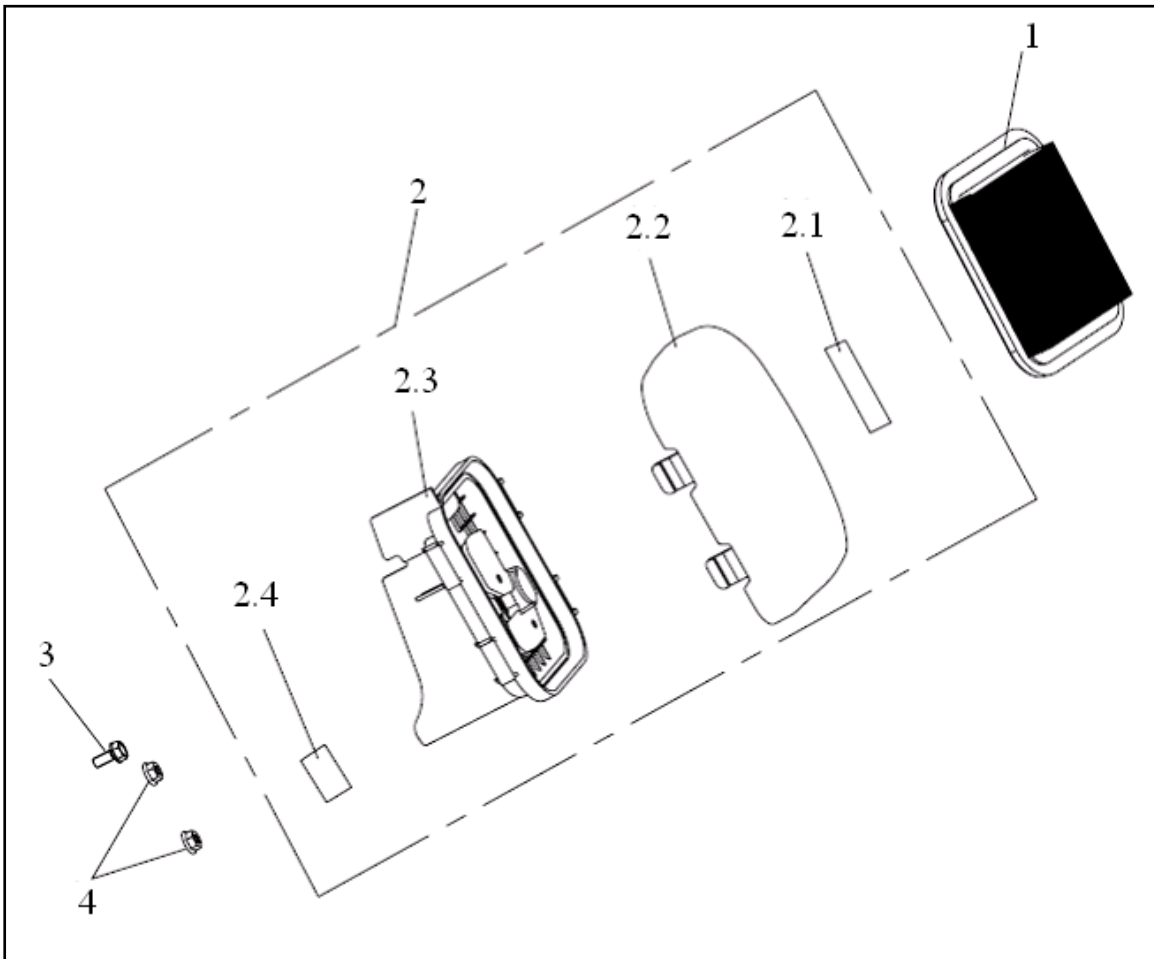
REF. NO.	NAME	PART NO.	QTY
1	Piston Ring Assembly	A100826	1
1.1	Ring, First	For Reference Only	1
1.2	Ring, Second	For Reference Only	1
1.3	Oil Ring	For Reference Only	1
2	Clip, Piston Pin	A200105	2
3	Piston	A200108	1
4	Connecting Rod	A200107	1
5	Piston Pin	A200106	1

Muffler Assembly



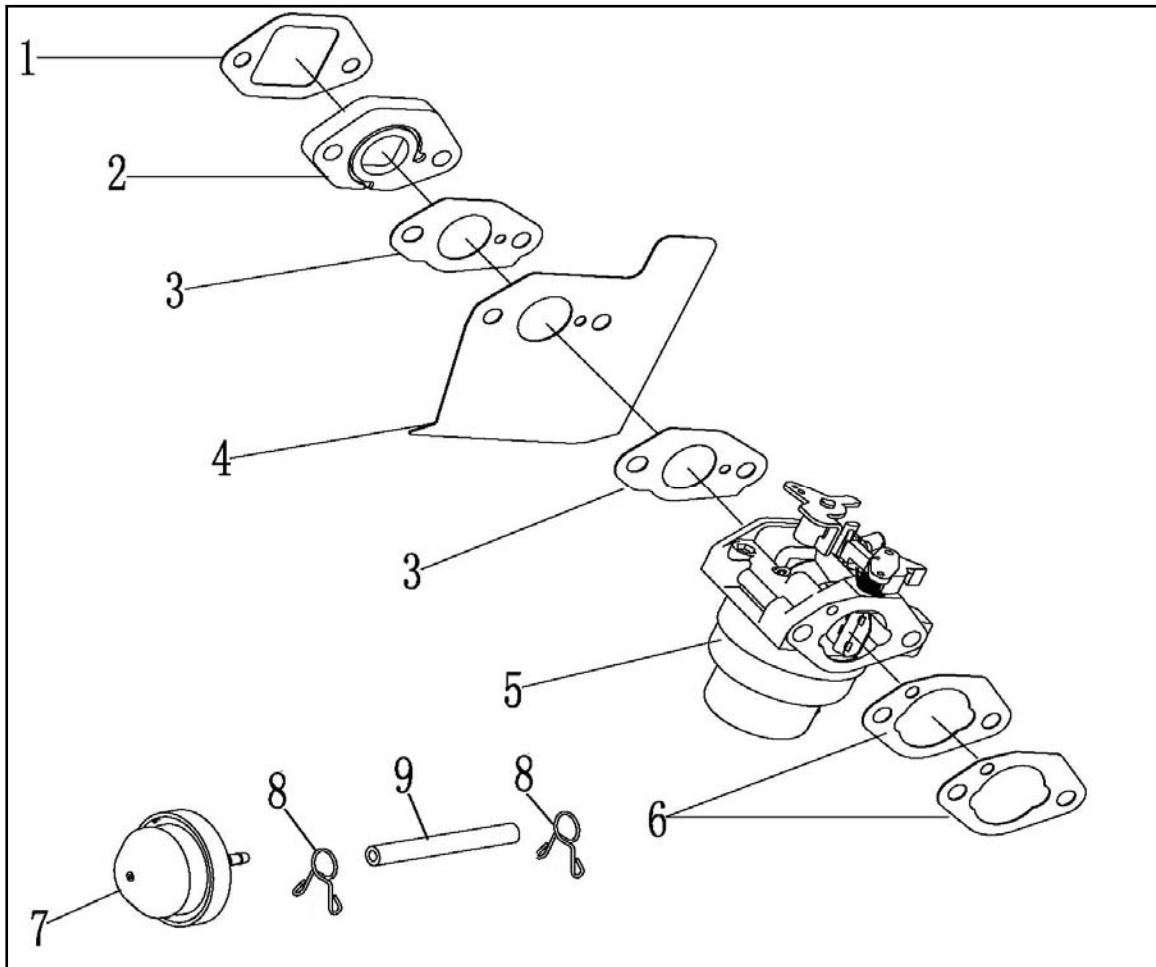
REF. NO.	NAME	PART NO.	QTY
1	Bolt, M6x12	A100657	3
2	Muffler Guard	A100658	1
3	Bolt	A100659	2
4	Muffler	A100660	1
5	Muffler Heat Shield	A100661	1

Air Filter Assembly



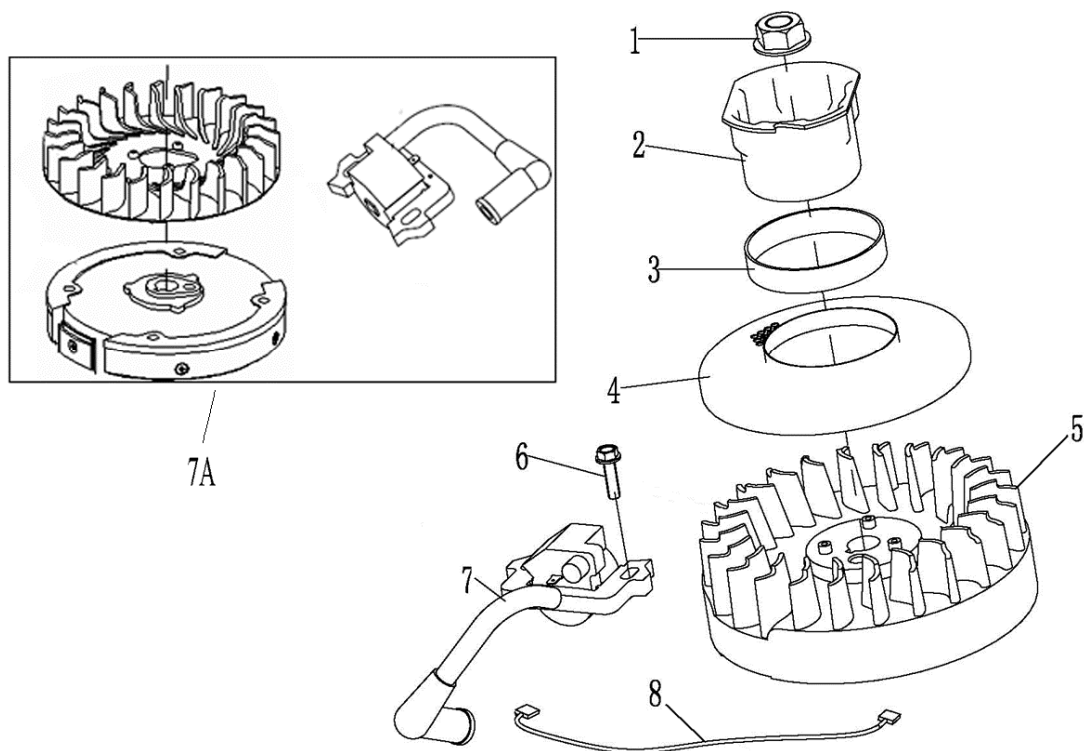
REF. NO.	NAME	PART NO.	QTY
1	Air Filter Element	A100827	1
2	Air Filter Housing Assembly	A100673	1
2.1	Label, Filter Service	A101097	1
2.2	Air Filter Cover	A100853	1
2.3	Air Filter Shell	A100861	1
2.4	Label, Primer	A101098	1
3	Bolt, M6x14	A100663	1
4	Nut, M6	A200028	2

Carburetor Assembly



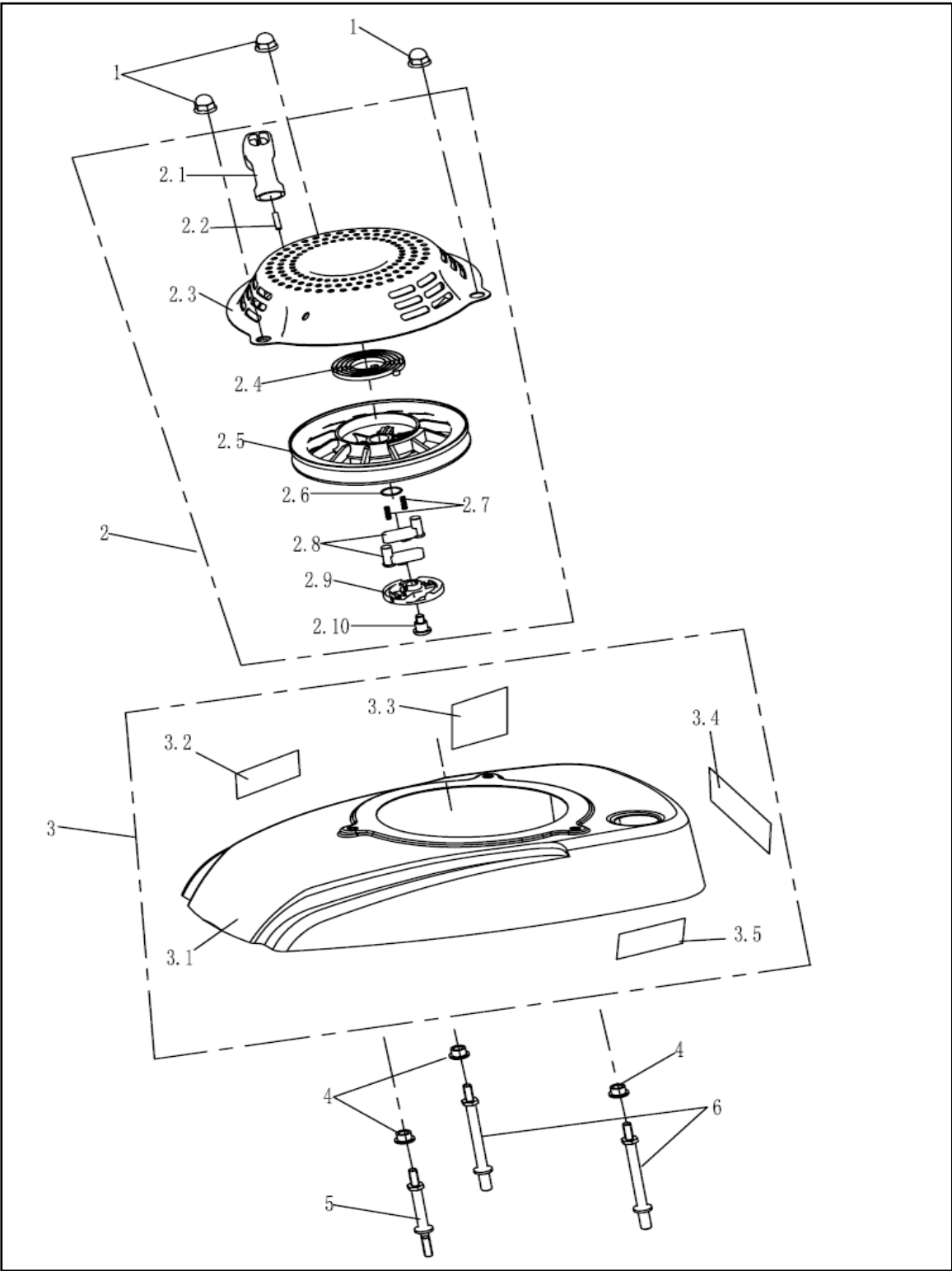
REF. NO.	NAME	PART NO.	QTY
1	Paper Gasket (I)	A100668	1
2	Carburetor Joint	A200027	1
3	Paper Gasket (II)	A100669	2
4	Shield	A100670	1
5	Carburetor	A100671	1
6	Paper Gasket (III)	A100672	2
7	Primer Bulb	A101096	1
8	Clamp, Fuel Line, ø 6.5	A100677	2
9	Fuel Line	A100678	1

Ignition System Assembly



REF. NO.	NAME	PART NO.	QTY
1	Fly Wheel Fixing Nut, M14×1.5	A200092	1
2	Start-up Ratchet Gear	A200093	1
3	Work Protecting Wire Net	A200094	1
4	Start-up Protecting Wire Net	A200095	1
5	Fly Wheel	A200096	1
6	Screw	A200100	1
7	Ignition Module NOTE: For units with aluminum flywheels A203178 MUST be ordered	A100687	1
7A	Ignition Kit for units with aluminum flywheel. Kit includes Ignition Module, Cast Iron Flywheel and Fan	A203178	1
8	Flameout Wire	A200101	1

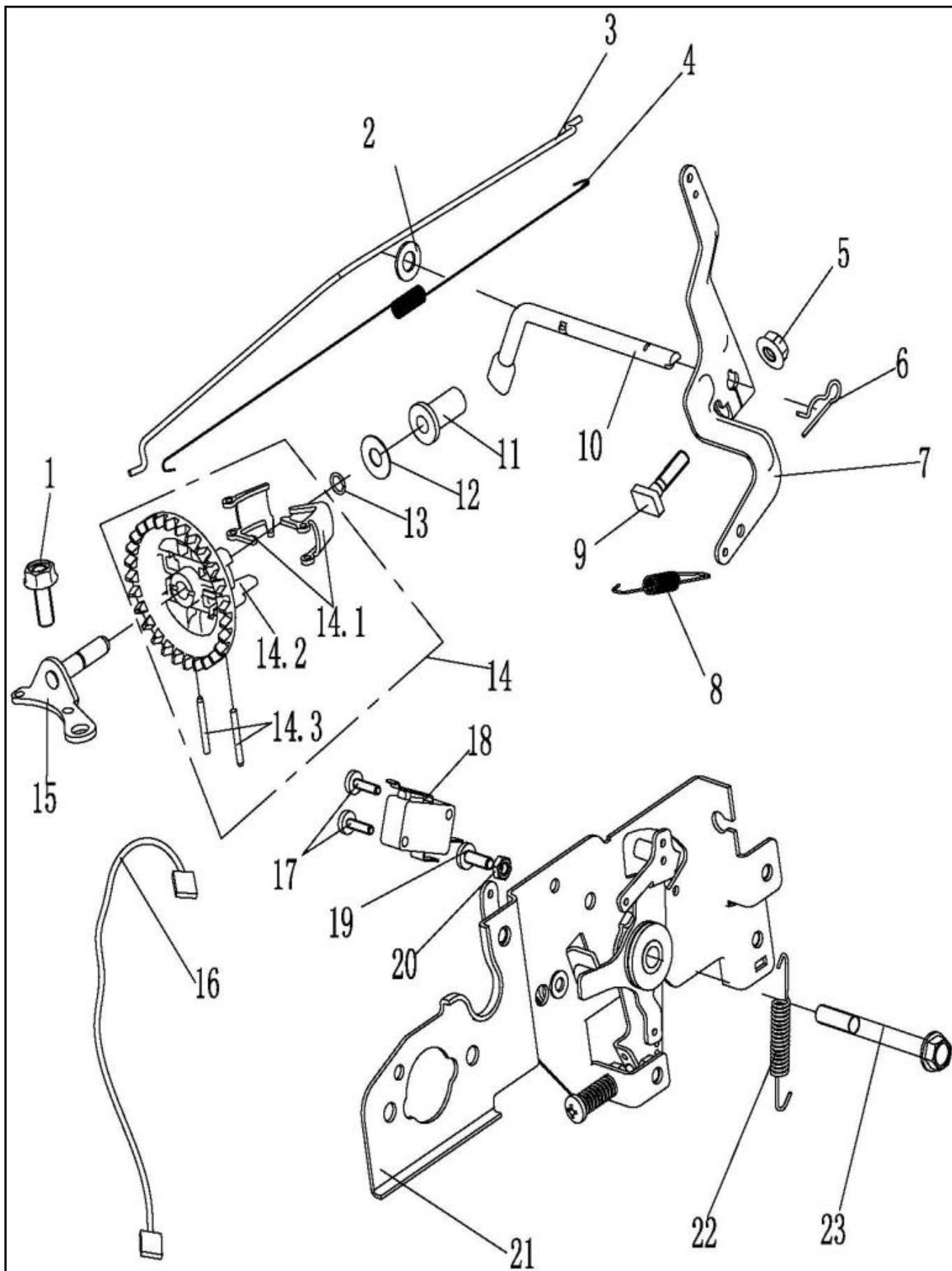
Engine Cover Assembly



Engine Cover Assembly

REF. NO.	NAME	PART NO.	QTY
1	Acorn Nut	A200116	3
2	Starter Assembly	A101087	1
2.1	Handle, Recoil Starter	A100980	1
2.2	Starter Rope	A100698	1
2.3	Starter Cover	A100696	1
2.4	Wind Spring	A100617	1
2.5	Starter Reel	A100694	1
2.6	Circlip	A100693	1
2.7	Compression Spring	A100692	2
2.8	Ratchet	A100691	2
2.9	Guide Disc	A100690	1
2.10	Bolt	A100689	1
3	Engine Shield Assembly	A101088	1
3.1	Engine Shield	For Reference Only	1
3.2	Label, Hot Surface	A100978	1
3.3	Label, Oil Fill	A101089	1
3.4	Label, Debris Warning	A101090	1
3.5	Label, EPA	A101091	1
4	Bolt Hole Cover	A100799	3
5	Double End Stud	A100797	1
6	Double End Stud	A100798	2

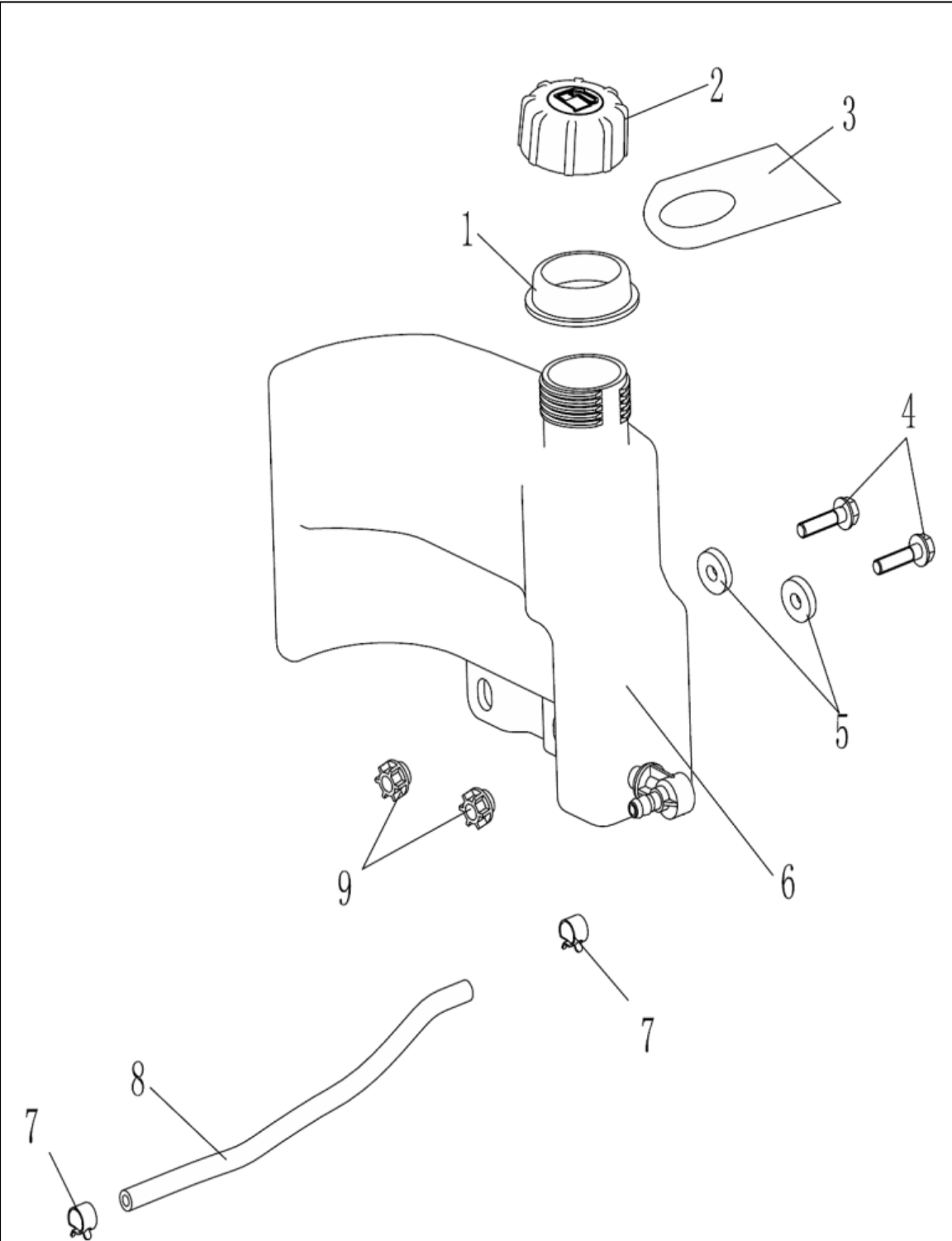
Governor Assembly



Governor Assembly

REF. NO.	NAME	PART NO.	QTY
1	Bolt, M6x12	A100657	1
2	Gasket	A200086	1
3	Link, Mechanical Governor (II)	A200085	1
4	Tension Spring (II)	A200084	1
5	Nut, M6	A100795	1
6	Hair Pin	A200082	1
7	Arm, Governor	A200081	1
8	Tension Spring (I)	A200080	1
9	Coach Bolt	A200079	1
10	Crank, Governor	A200078	1
11	Bushing	A200077	1
12	Washer 3	A200075	1
13	Retaining Ring	A200074	1
14	Governor Sub Assembly	A100830	1
14.1	Pawl	For Reference Only	2
14.2	Body, Governor	For Reference Only	1
14.3	Pin	For Reference Only	2
15	Mount Bracket & Axle	A200072	1
16	Grounding Flameout Wire	A200063	1
17	Bolt, M3x12	A200069	2
18	Switch, Grounding	A200068	1
19	Bolt, M4x8	A200070	1
20	Nut, M4	A200067	1
21	Governor Control Panel	A200066	1
22	Controller Tension Spring	A200065	1
23	Bolt, M6x60	A200064	1

Fuel Tank Assembly



Fuel Tank Assembly

REF. NO.	NAME	PART NO.	QTY
1	Position Fix Ring	A200091	1
2	Fuel Tank Cap	A101074	1
3	Fuel Tank - Oil Hang Tag	A101075	1
4	Bolt, M6x14	A100663	2
5	Washer, Heat Insulating	A200090	2
6	Fuel Tank	A101076	1
7	Clamp, Fuel Line	A100679	2
8	Fuel Line	A100680	1
9	Spacer, Heat insulating	A200087	2